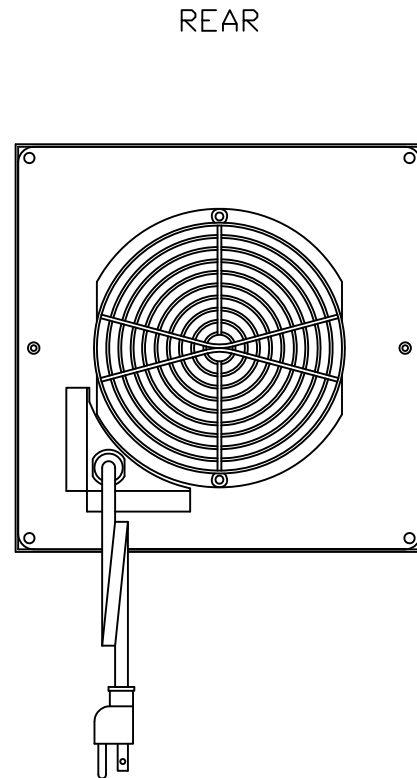
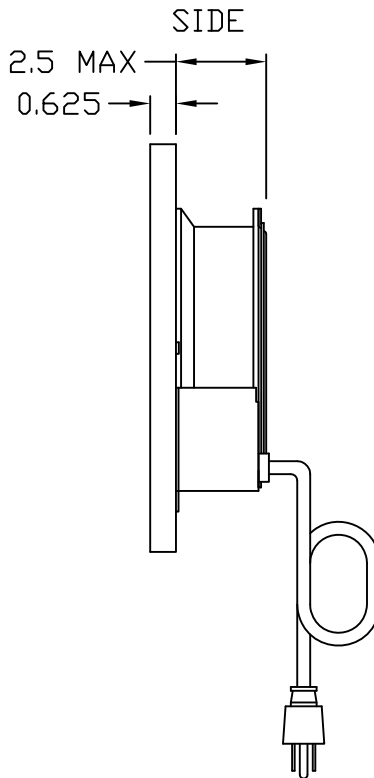
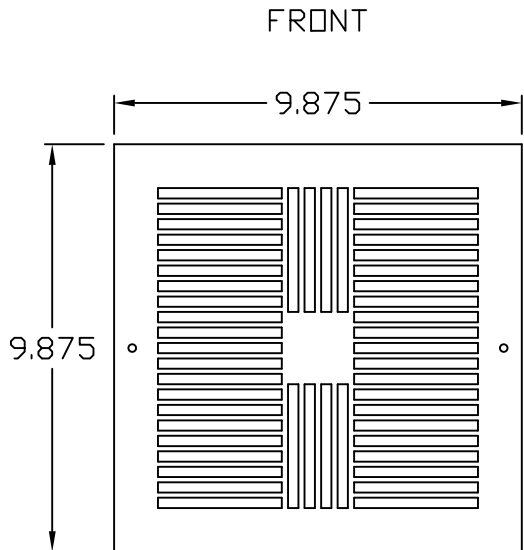
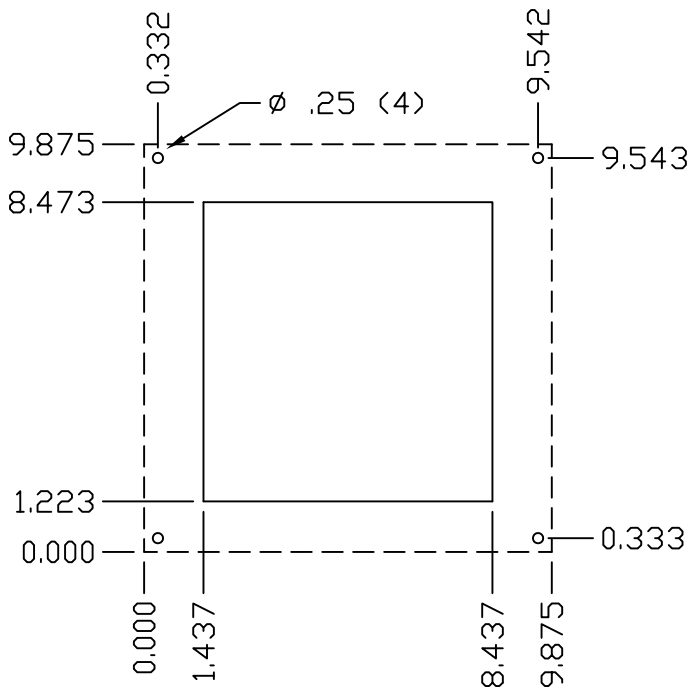


IQ200FP SPEC DRAWING

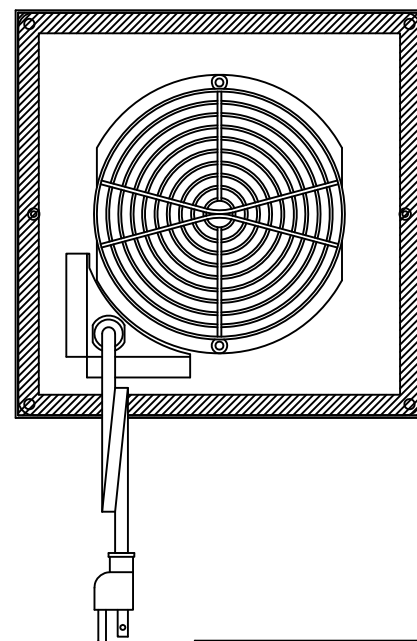
235/190 CFM FREE AIR @ 120/110 VAC 60/50 HZ
 235/190 CFM FREE AIR @ 230/220 VAC 60/50 HZ
 MAXIMUM AMPS : .43/.43 @ 120/110 VAC 60/50 HZ
 MAXIMUM AMPS : .29/.29 @ 230/ 220 VAC 60/50 HZ
 MAXIMUM OPERATING TEMPERATURE : 176°F
 WEIGHT: 5.5 LBS



IQ200FP
CUTOUT DRAWING



IQ200FP
GASKET DRAWING



0	INITIAL RELEASE	5-15-08	JJH
REV	DESCRIPTION	DATE	CHECKED
	REVISIONS		

PROPRIETARY DRAWING
 THIS DRAWING IS THE PROPERTY OF ICE
 QUBE, INC. AND IS NOT TO BE REPLICATED
 OR ALTERED WITHOUT AUTHORIZATION OF
 ICE QUBE, INC.

DRAWN GFD SCALE NONE
 DATE 5-15-08
 SHEET 1 OF 1

Ice Qube INDUSTRIAL COOLING EQUIPMENT
 141 WILSON AVENUE
 GREENSBURG, PA 15601
 724-837-8204 • 1-888-867-8234
 FAX 724-837-3286

IQ200FP
 IQ280306 0