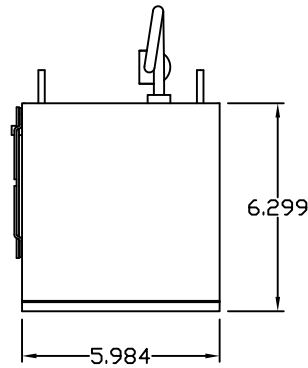


IQ1000MM-L & IQ1300MM-L SPEC DRAWING REV 0

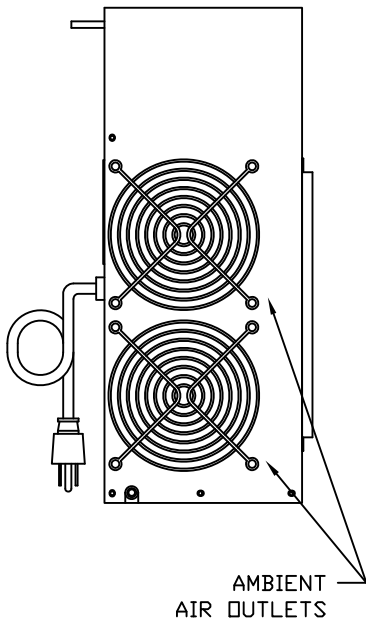
IQ1000MM-L  
 COOLING CAPACITY: 1000 BTUH @131-131°F  
 MAXIMUM AMPS: 3.1 @120V/60HZ  
 MAXIMUM AMPS: 1.5 @230V/60HZ  
 MAXIMUM OPERATING TEMP.: 131°F  
 DIMENSIONS: 15.00"H X 5.98"W X 6.29"D  
 WEIGHT: 21 LBS

IQ1300MM-L  
 COOLING CAPACITY: 1300 BTUH @131-131°F  
 MAXIMUM AMPS: 3.2 @120V/60HZ  
 MAXIMUM AMPS: 1.6 @230V/60HZ  
 MAXIMUM OPERATING TEMP.: 131°F  
 DIMENSIONS: 15.00"H X 5.98"W X 6.29"D  
 WEIGHT: 21 LBS

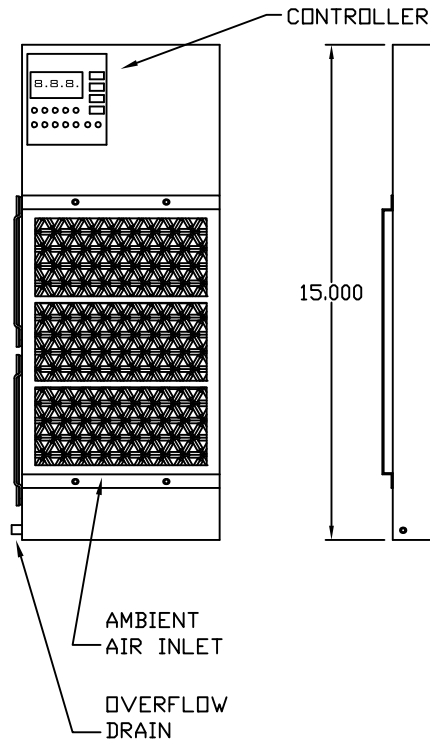
IQ1000MM-L  
 IQ1300MM-L  
 TOP VIEW



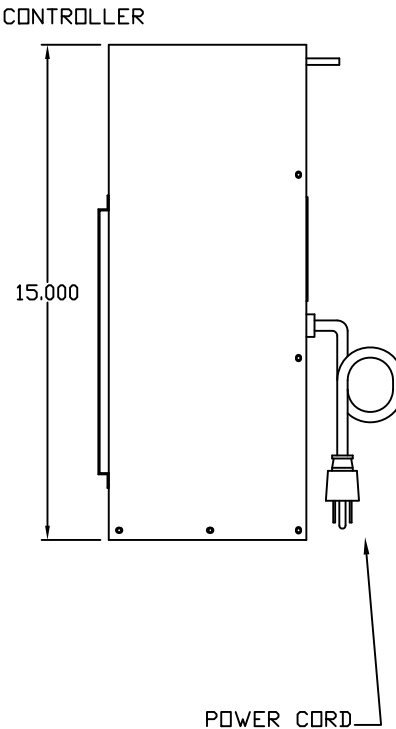
IQ1000MM-L  
 IQ1300MM-L  
 LEFT VIEW



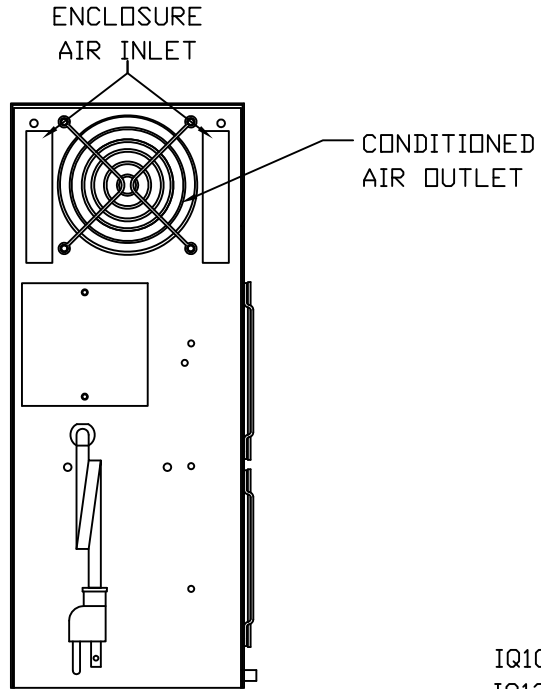
IQ1000MM-L  
 IQ1300MM-L  
 FRONT VIEW



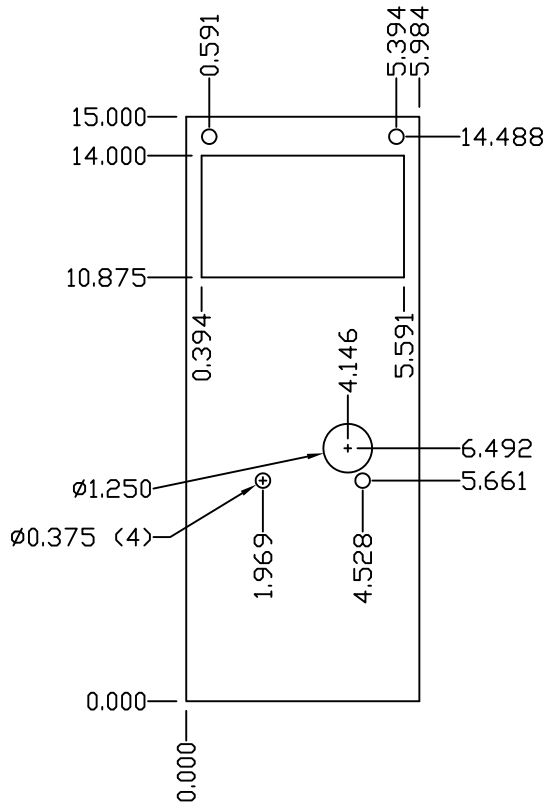
IQ1000MM-L  
 IQ1300MM-L  
 RIGHT VIEW



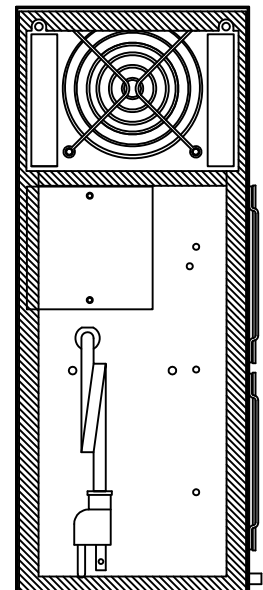
IQ1000MM-L  
 IQ1300MM-L  
 REAR VIEW



IQ1000MM-L  
 IQ1300MM-L  
 CUT OUT DRAWING



IQ1000MM-L  
 IQ1300MM-L  
 GASKET DRAWING



**\*IMPORTANT\***  
 GASKET MUST BE  
 APPLIED AS SHOWN  
 FOR PROPER OPERATION  
 AND TO MAINTAIN  
 NEMA INTEGRITY