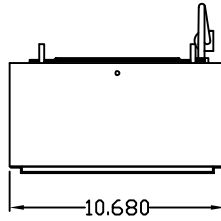


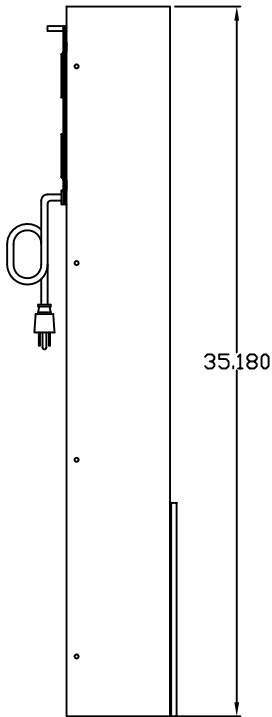
IQ2200HE-CF SPEC DRAWINGS REV 0

COOLING CAPACITY: 18 WATTS/°F
DIMENSIONS: 35.18"H X 10.68"W X 5.13"D
WEIGHT: 37 LBS.
MAXIMUM AMPS: 2.80/3.10 @ 120/110VAC 60/50HZ
MAXIMUM AMPS: .96/1.06 @ 230/220VAC 60/50HZ
MAXIMUM AMPS: 3.24 @ 48VDC

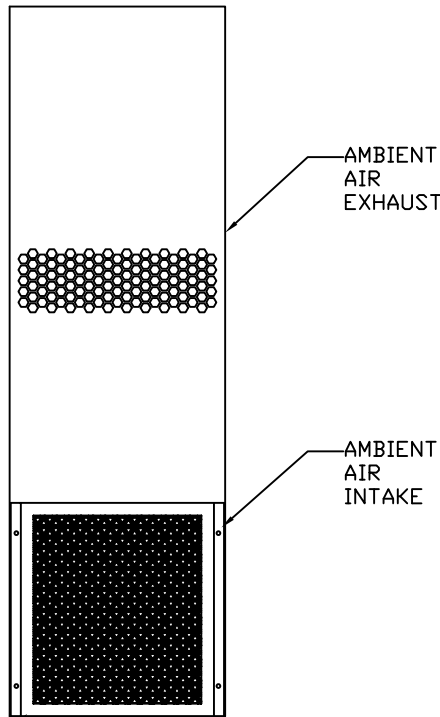
IQ2200HE-CF
TOP VIEW



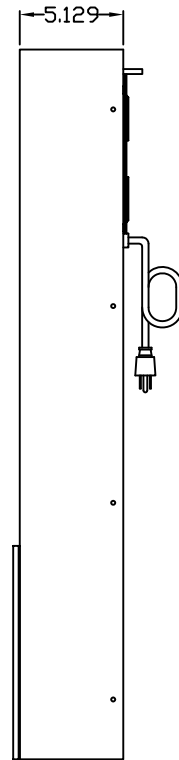
IQ2200HE-CF
LEFT SIDE



IQ2200HE-CF
FRONT VIEW

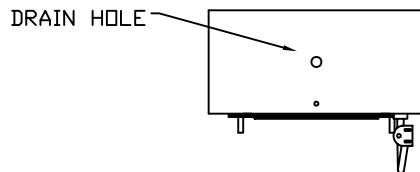


IQ2200HE-CF
RIGHT SIDE

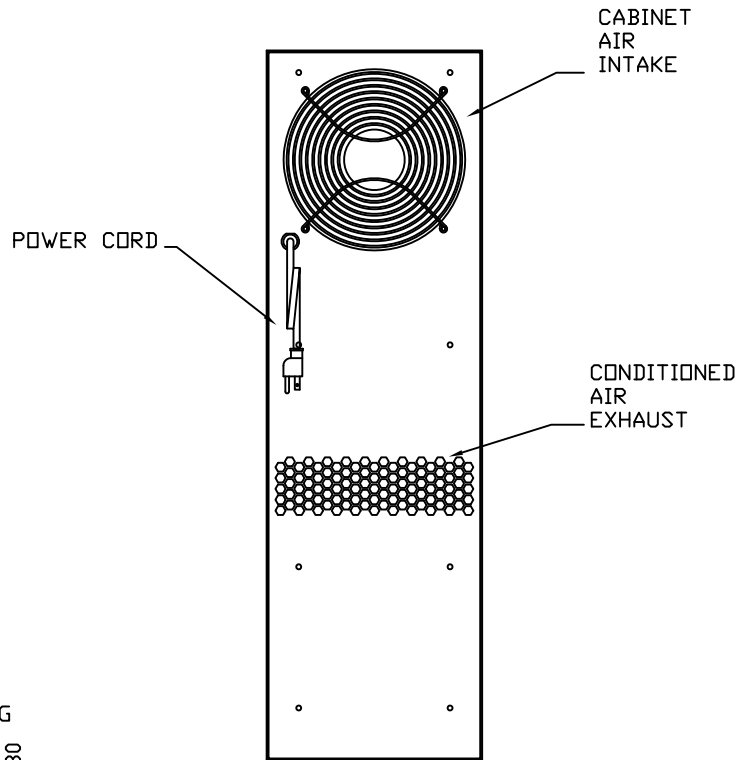


OPTIONAL: FILTER
COVER

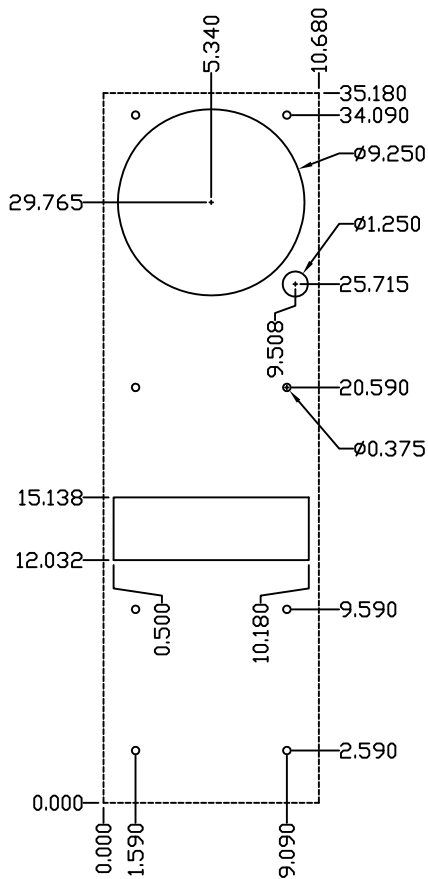
IQ2200HE-CF
BOTTOM VIEW



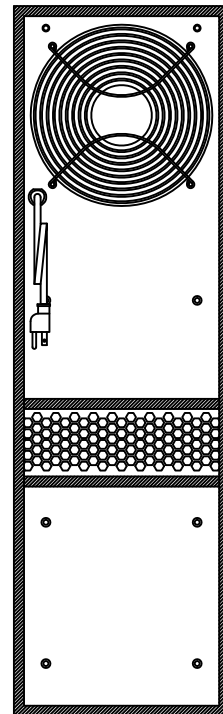
IQ2200HE-CF
REAR VIEW



IQ2200HE-CF
CUT OUT DRAWING



IQ2200HE-CF
GASKET DRAWING



IMPORTANT
GASKET MUST BE
APPLIED AS SHOWN
FOR PROPER OPERATION
AND TO MAINTAIN
NEMA INTEGRITY.

0	INITIAL RELEASE	4-9-09	JMH
REV	DESCRIPTION	DATE	CHECKED
	REVISIONS		

PROPRIETARY DRAWING	DATE	REV	REV	REV
4-9-09	1	2	3	4
SHEET 2 OF 2	IQ2200HE-CF	IQ290909	0	