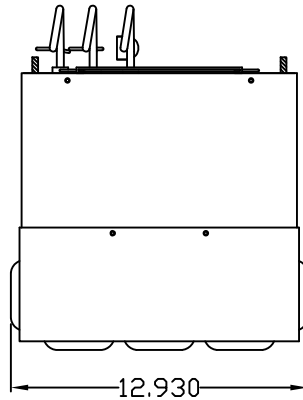
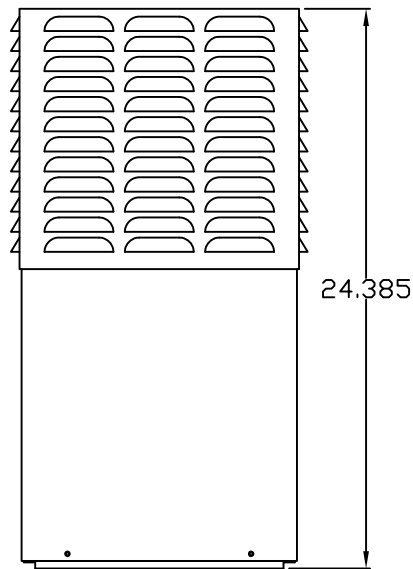


IQ400VP
 400 CFM FREE AIR
 .35 AMPS @ 230 VAC
 .48 AMPS @ 48 VDC
 DIMENSIONS: 24.39"H X 12.93"W X 12.06"D
 WEIGHT : 48 LBS.

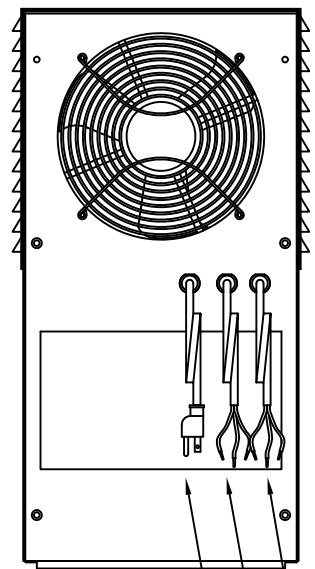
TOP



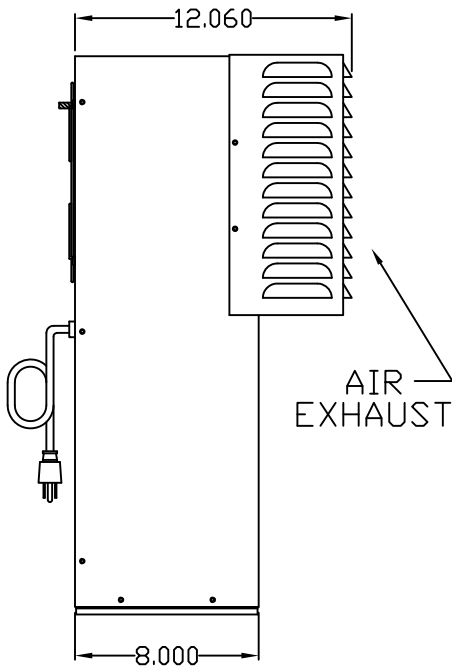
FRONT



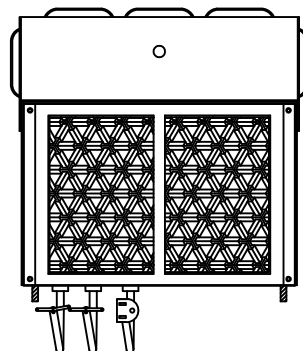
REAR



LEFT SIDE



BOTTOM



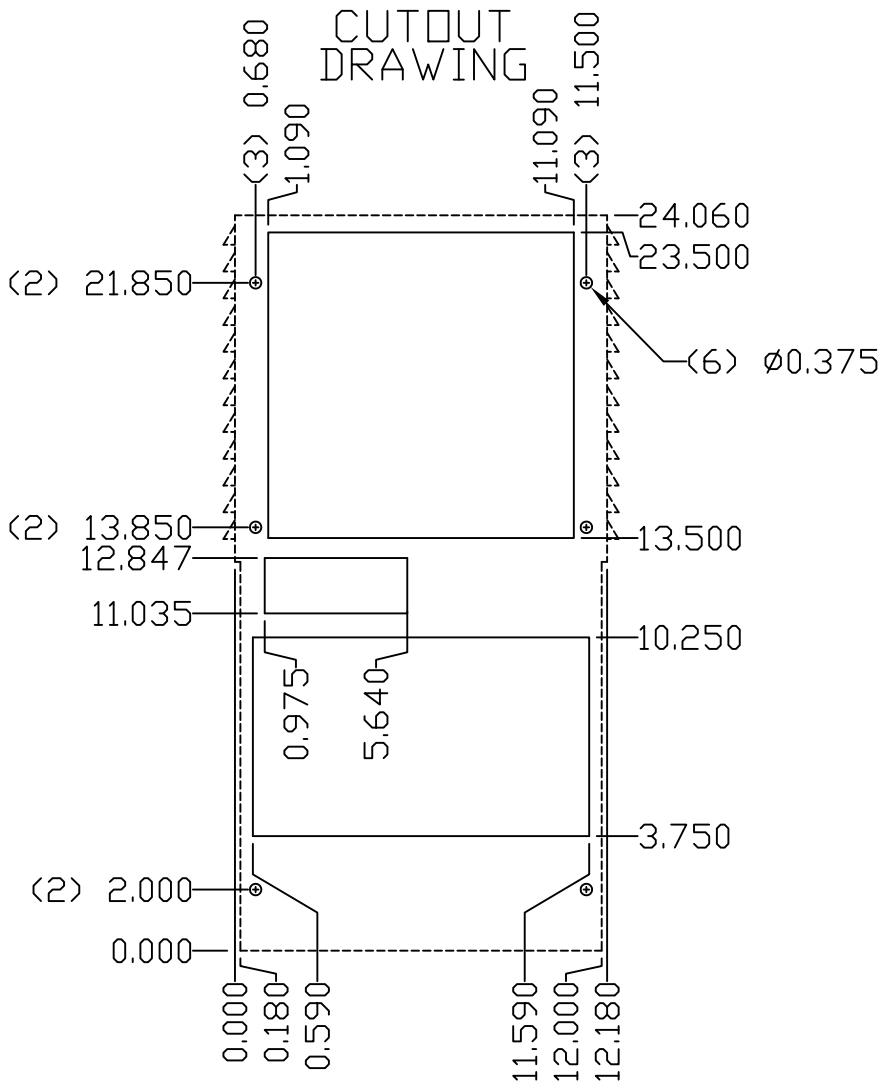
230V POWER CORD
 48VDC POWER CORD
 THERMOSTAT

PROPRIETARY DRAWING
 THIS DRAWING IS THE PROPERTY OF IQE
 AND IS NOT TO BE REPRODUCED OR
 ALTERED WITHOUT AUTHORIZATION OF
 IQE, INC.

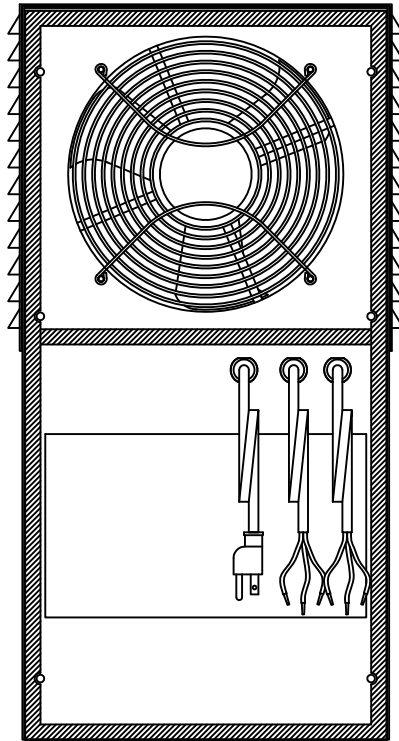
DRAWN: JMH
 DATE: 10-19-07
 SCALE: NONE
 SHEET 1 OF 2

INDUSTRIAL COOLING EQUIPMENT
 IQE
 341 VILLAGE AVENUE
 GREENSBORO, PA 15601
 724-637-2004 • 1-800-647-8284
 FAX: 724-637-2006
 IQ400VP
 IQ270913 1

CUTOUT DRAWING



GASKET DRAWING



GASKET MUST BE APPLIED AS SHOWN FOR PROPER OPERATION AND TO MAINTAIN NEMA INTEGRITY