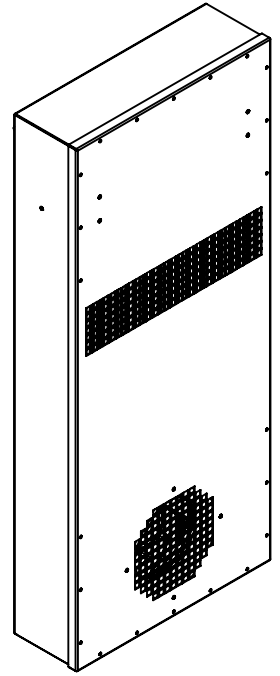
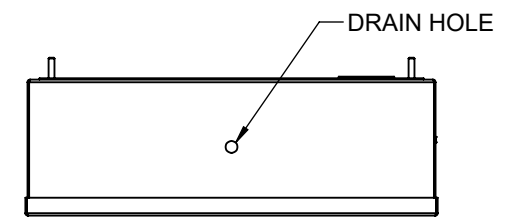
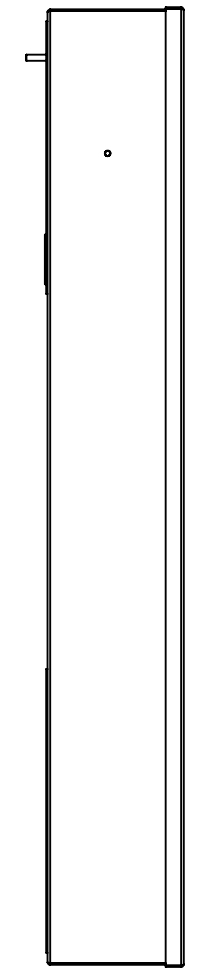
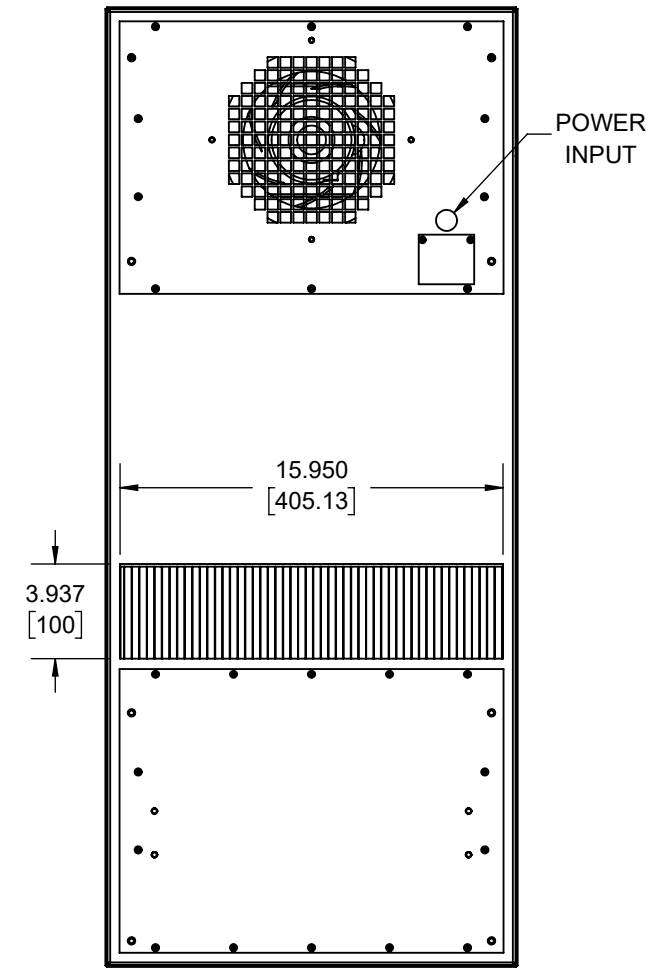
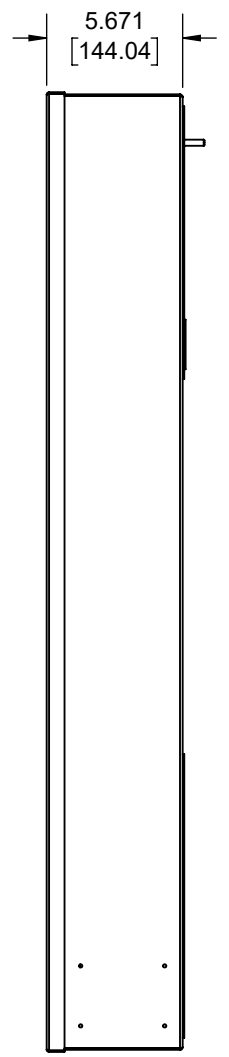
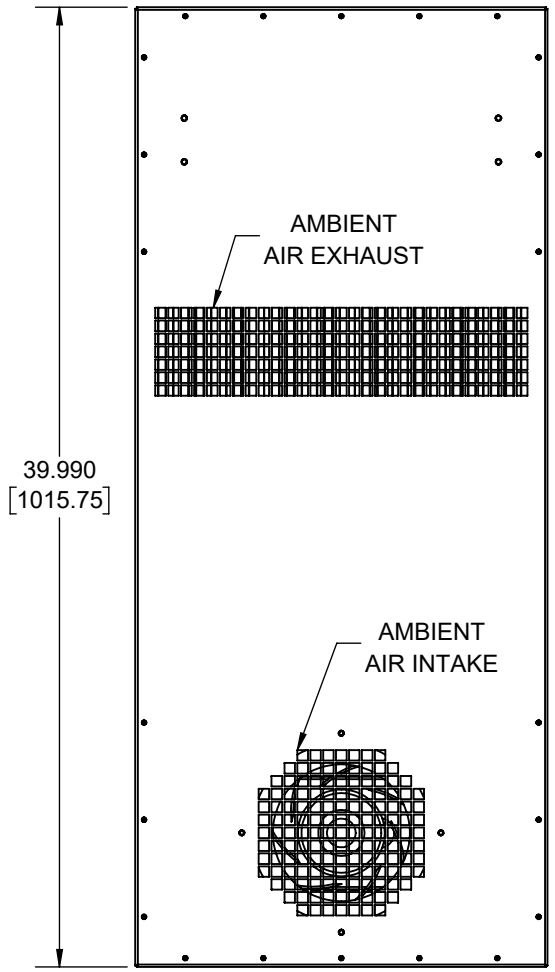
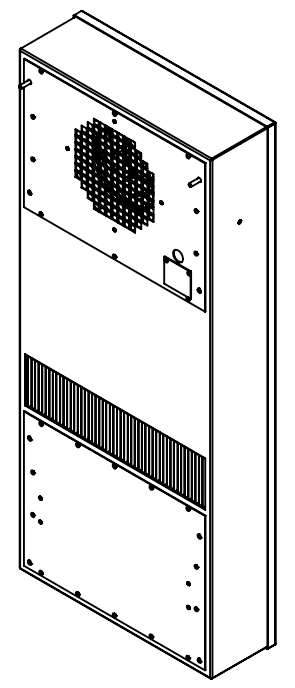
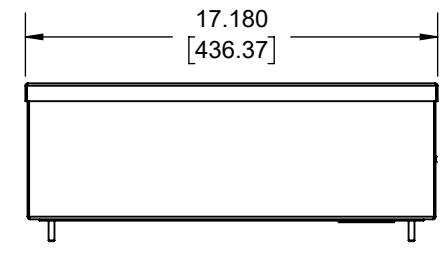


8 7 6 5 4 3 2 1



# IQ6100HE-CF



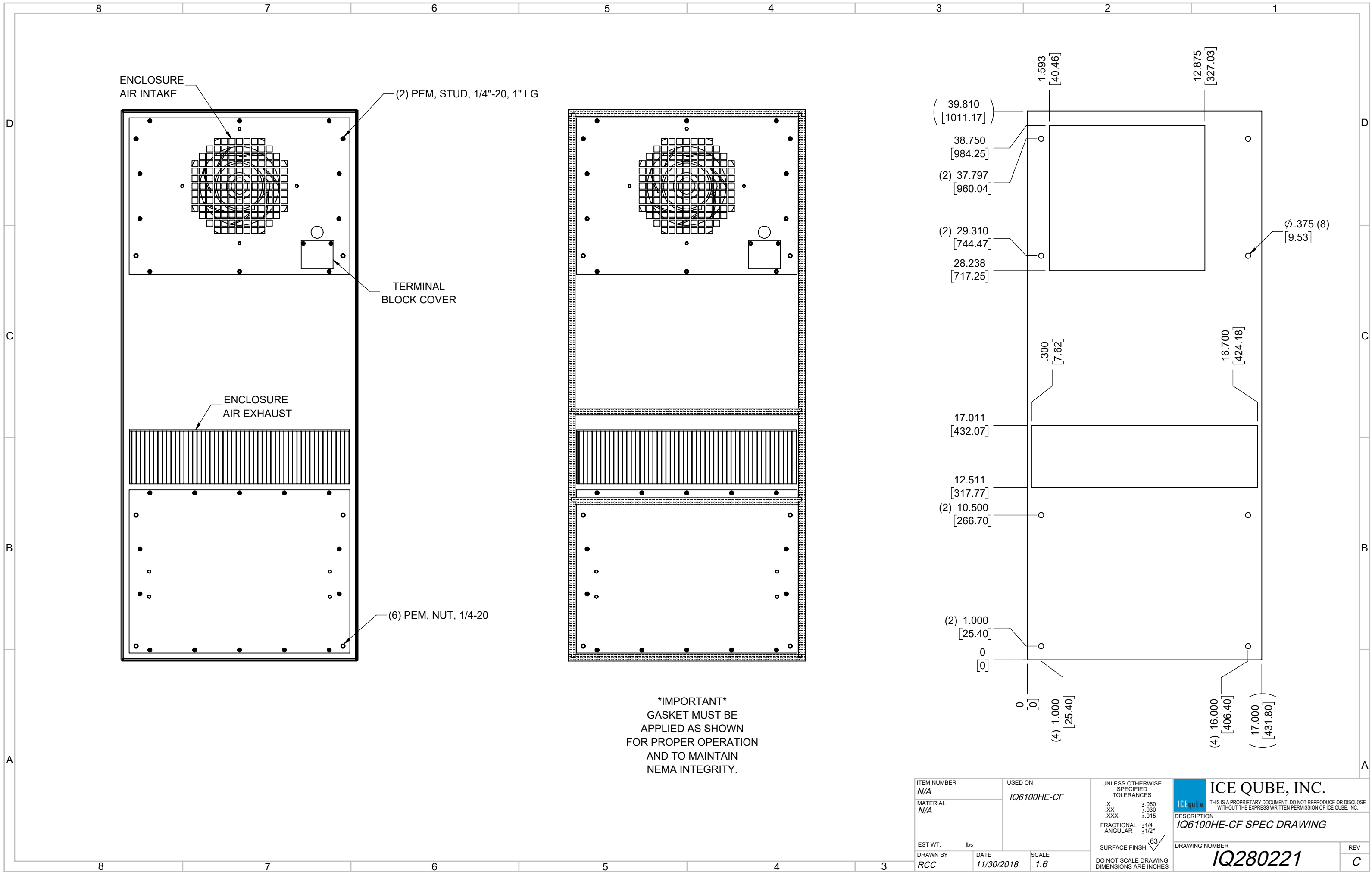
**IQ6100HE-CF**  
 COOLING CAPACITY: 47 WATTS/°F  
 MAXIMUM AMPS: 3.70A (444W) @ 120V/60HZ  
 MAXIMUM AMPS: 1.80/1.40A (414/322W) @ 230V 60/50HZ  
 MAXIMUM AMPS: 8.82A (212W) @ 24VDC  
 MAXIMUM AMPS: 5.42A (260W) @ 48VDC  
 MAXIMUM OPERATING TEMP: 176°F (80°C)  
 DIMENSIONS: 39.99" (1016MM) H X 17.18" (436MM) W X 5.67" (144MM) D  
 WEIGHT: 60 LBS (27.2KG)

REV	CHG	DATE	APP	DATE	CN #
C		12/4/2020			
B		4/4/2019			
A		11/30/2018			

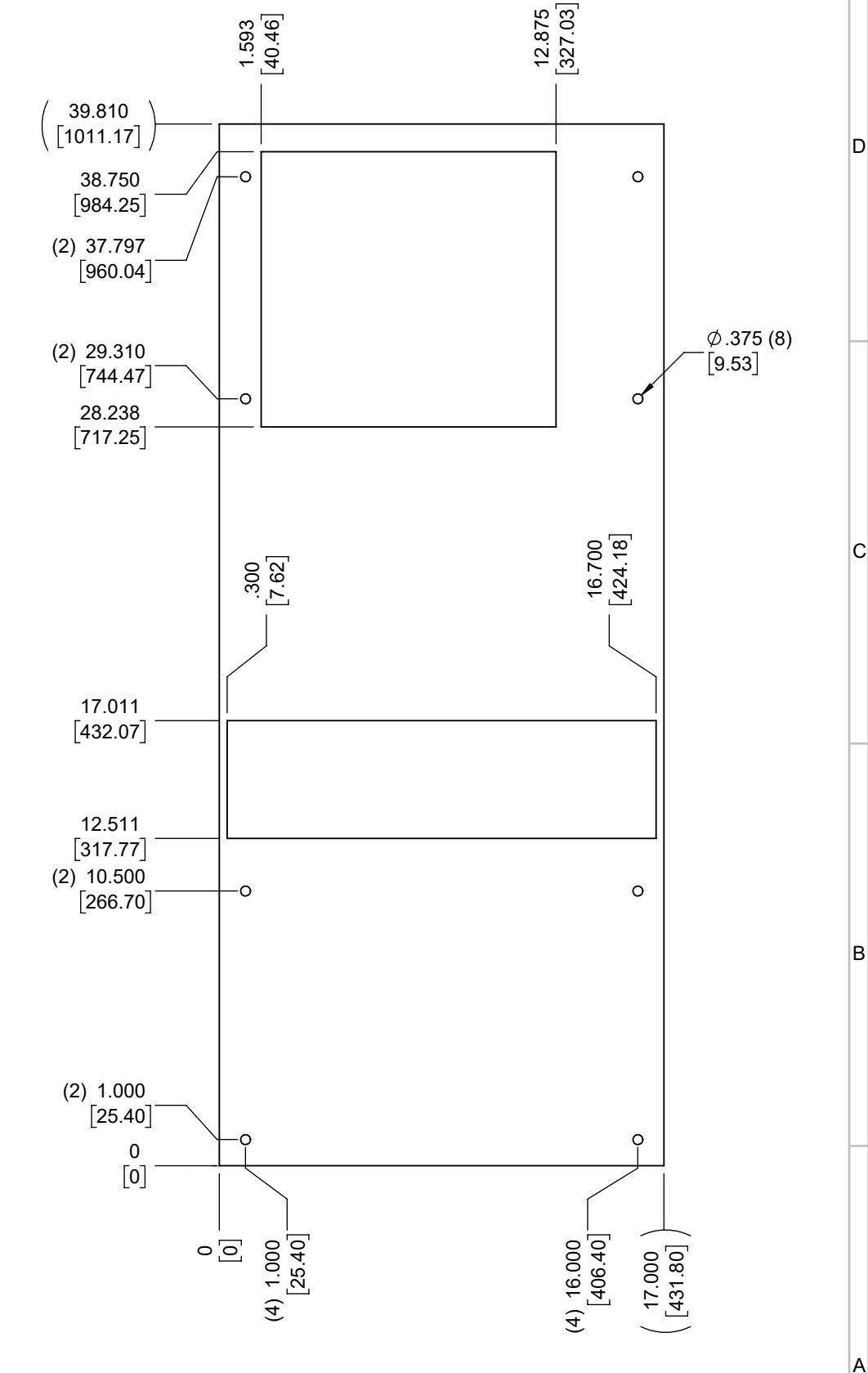
ITEM NUMBER N/A	USED ON IQ6100HE-CF
MATERIAL N/A	
EST WT: lbs	
DRAWN BY RCC	DATE 11/30/2018
	SCALE 1:8

UNLESS OTHERWISE SPECIFIED TOLERANCES	
.X	±.060
.XX	±.030
.XXX	±.015
FRACTIONAL	±1/16
ANGULAR	±1/2°
SURFACE FINISH $\sqrt{63}$	
DO NOT SCALE DRAWING DIMENSIONS ARE INCHES	

**ICE QUBE, INC.**  
 THIS IS A PROPRIETARY DOCUMENT. DO NOT REPRODUCE OR DISCLOSE WITHOUT THE EXPRESS WRITTEN PERMISSION OF ICE QUBE, INC.  
 DESCRIPTION  
**IQ6100HE-CF SPEC DRAWING**  
 DRAWING NUMBER  
**IQ280221**



**\*IMPORTANT\***  
 GASKET MUST BE  
 APPLIED AS SHOWN  
 FOR PROPER OPERATION  
 AND TO MAINTAIN  
 NEMA INTEGRITY.



ITEM NUMBER <i>N/A</i>	USED ON <i>IQ6100HE-CF</i>	UNLESS OTHERWISE SPECIFIED TOLERANCES X ±.060 .XX ±.030 .XXX ±.015 FRACTIONAL ±1/4 ANGULAR ±1/2°	<p>THIS IS A PROPRIETARY DOCUMENT. DO NOT REPRODUCE OR DISCLOSE WITHOUT THE EXPRESS WRITTEN PERMISSION OF ICE QUBE, INC.</p>
MATERIAL <i>N/A</i>		DESCRIPTION <i>IQ6100HE-CF SPEC DRAWING</i>	
EST WT: lbs	DATE <i>11/30/2018</i>	SCALE <i>1:6</i>	DRAWING NUMBER <i>IQ280221</i>
DRAWN BY <i>RCC</i>		DO NOT SCALE DRAWING DIMENSIONS ARE INCHES	REV <i>C</i>