

IQ8000EV

STANDARD
CONTROLLER
LOCATION

AMBIENT INTAKE FILTER

(2) PEM, STUD, 1/4"-20, 1"LG

OPTIONAL
CONTROLLER
LOCATION

Ø6.625
[168.28]
WITH GUARD

ENCLOSURE
INTAKE

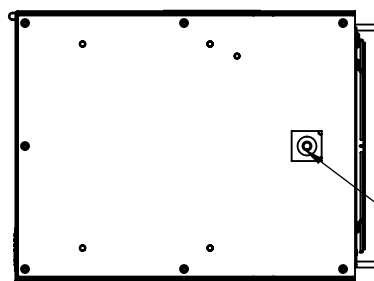
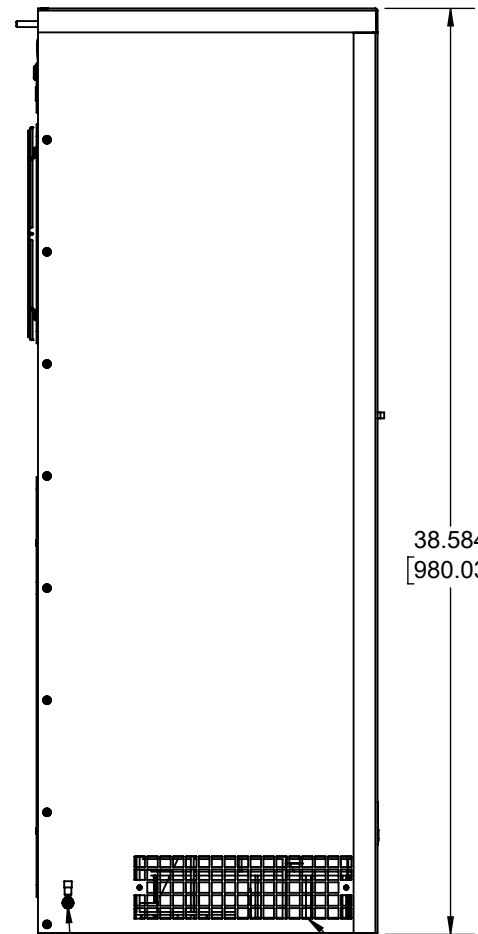
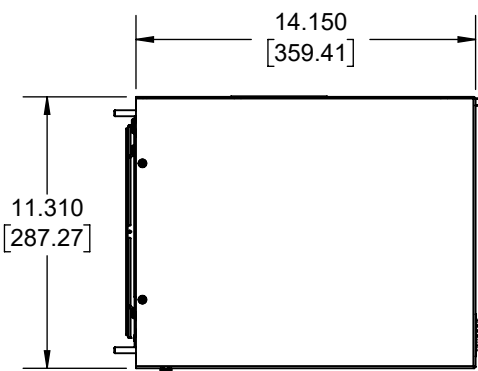
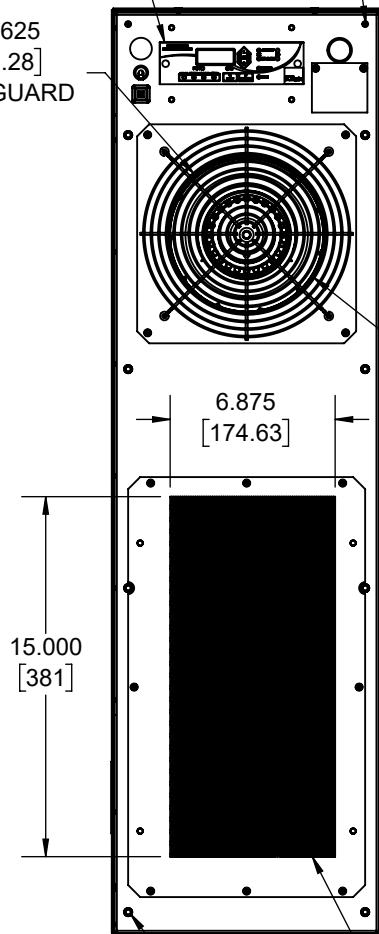
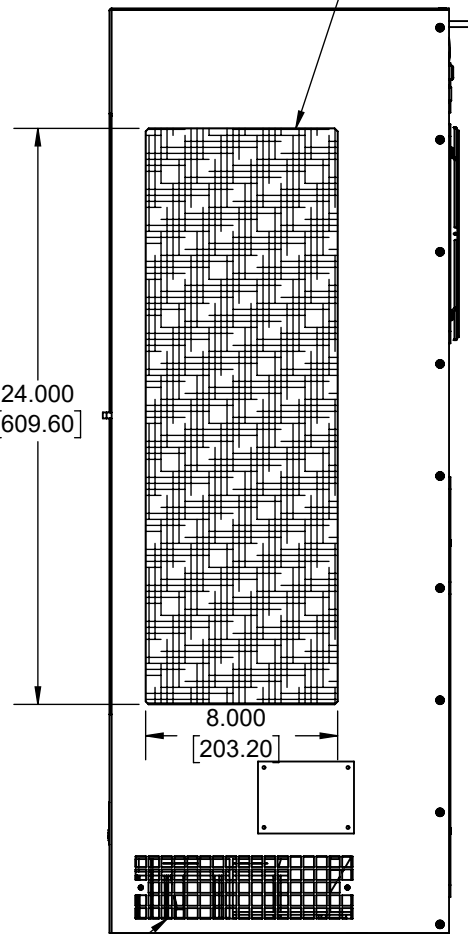
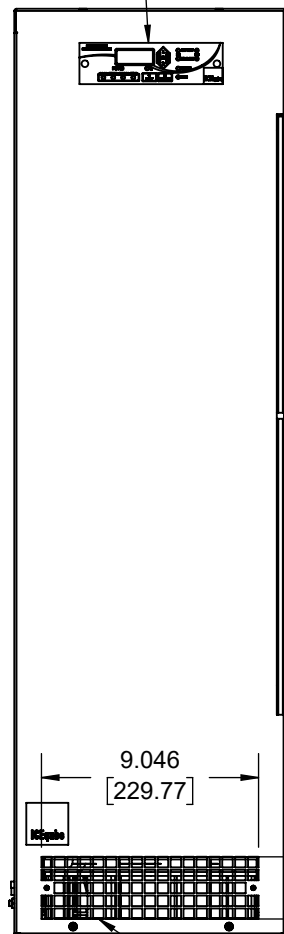
ENCLOSURE
EXHAUST

EXTERNAL GROUND
Ø6MM, 12MM LG STUD
WITH RING TERMINAL

AMBIENT EXHAUST

(8) PEM, NUT, 1/4"-20, .054"

DRAIN TUBE .375" [9.53] O.D.



IQ8000EV
 NOMINAL COOLING CAPACITY:
 8413 BTUH (2466W) @ 140-140°F (60°C-60°C)
 7711 BTUH (2260W) @ 95-95°F (35°C-35°C)
 MAXIMUM AMPS: 15.10 (1812W) @ 120V/60Hz
 MAXIMUM AMPS: 6.50 (1430W) @ 220V/50Hz
 MAXIMUM AMPS: 7.70 (1771W) @ 230V/60Hz
 MAXIMUM AMPS: 4.20 (1680W) @ 400V/50Hz
 MAXIMUM AMPS: 4.21 (1684W) @ 400V/60Hz
 MAXIMUM AMPS: 3.80 (1824W) @ 480V/50Hz
 MAXIMUM AMPS: 3.60 (1728W) @ 480V/60Hz
 OPERATING VOLTAGE TOLERANCE: ±10%
 OPERATING FREQUENCY TOLERANCE: ±3HZ
 MAXIMUM OPERATING TEMPERATURE: 140°F (60°C)
 DIMENSIONS: 38.584" (980MM) H x 11.309" (287MM) W x 14.150" (359MM) D
 WEIGHT: 126 LBS (57.1KG) @ 120/220/230V
 WEIGHT: 150 LBS (68.0KG) @ 400/480V
 REFRIGERANT CHARGE: R407C 2LB 4OZ (1021G)

REV	DATE	DESCRIPTION	CHG	DATE	APP	DATE	CN #
F	9/21/2022	ADDED VOLTAGE AND FREQUENCY TOLERANCE	NAT				
E	3/22/2018	ADDED CFM, dBA, AND CLEARANCE INFO	RCC	ART	5/11/2018	1347	
D	12/18/2017	UPDATED UNIT DATA	JGG	ART	12/18/2017	1336	
		REVISION	CHG	DATE	APP	DATE	CN #

ITEM NUMBER	N/A
MATERIAL	N/A
USED ON	IQ8000EV
EST WT:	lbs
DRAWN BY	ART
DATE	10/12/2016
SCALE	1:8

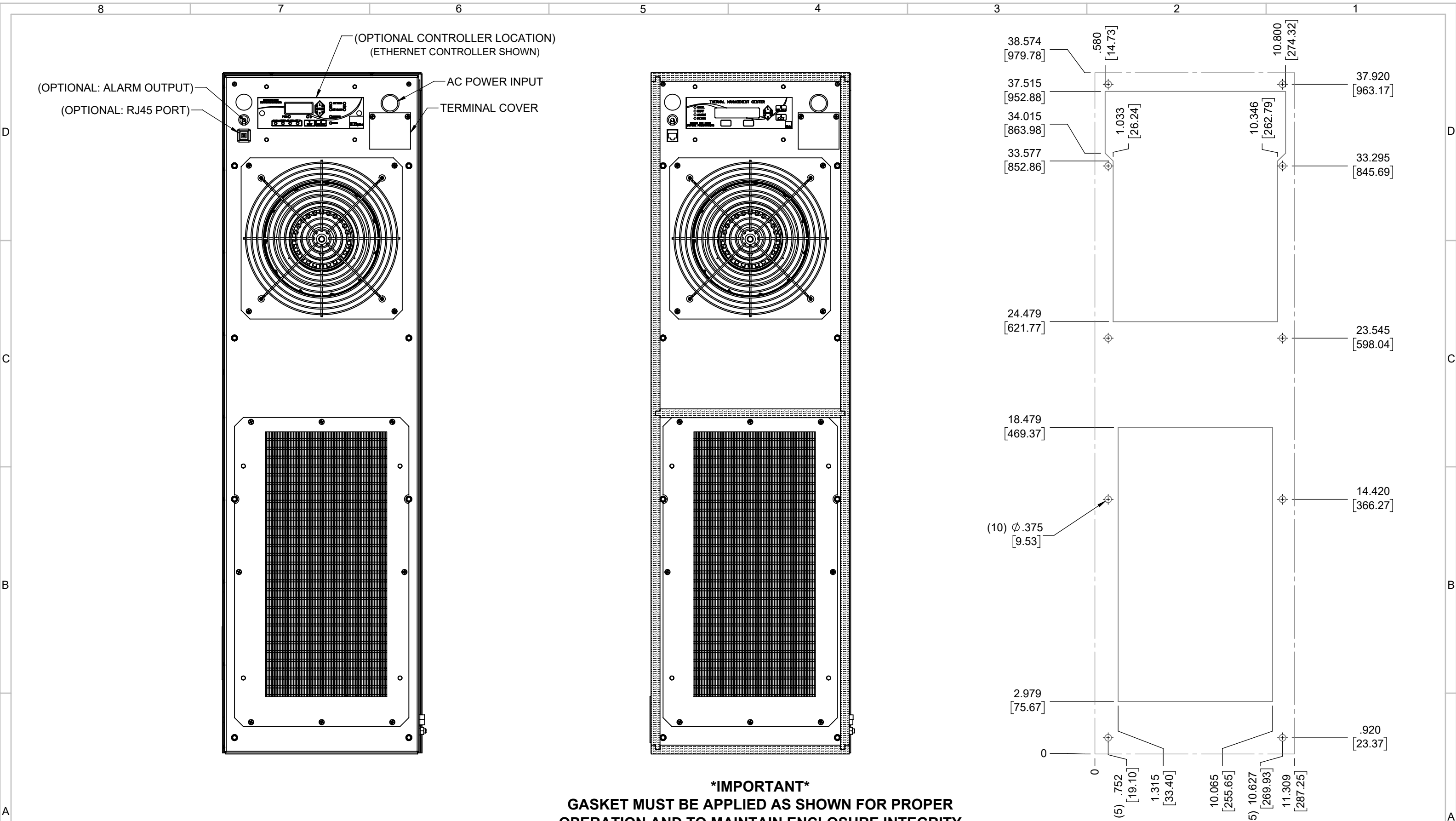
UNLESS OTHERWISE SPECIFIED TOLERANCES	
.X	±.060
.XX	±.030
.XXX	±.015
FRACTIONAL	±1/16
ANGULAR	±1/2°
SURFACE FINISH	63
DO NOT SCALE DRAWING DIMENSIONS ARE INCHES	

ICE QUBE, INC.
 THIS IS A PROPRIETARY DOCUMENT. DO NOT REPRODUCE OR DISCLOSE WITHOUT THE EXPRESS WRITTEN PERMISSION OF ICE QUBE, INC.

DESCRIPTION
IQ8000EV SPEC DRAWING

DRAWING NUMBER
IQ351080

REV
F



IMPORTANT
GASKET MUST BE APPLIED AS SHOWN FOR PROPER OPERATION AND TO MAINTAIN ENCLOSURE INTEGRITY

EVAP. OUTLET ≈ 510 CFM
 COND. OUTLET ≈ 800 CFM
 SOUND LEVEL @5FT FROM UNIT @ A HT. OF 3FT = 68 dBA
 SOUND LEVEL @2FT FROM UNIT @ A HT. OF 5FT = 70 dBA
 CONDENSER INLET MIN. CLEARANCE 3.00"

ITEM NUMBER N/A	USED ON IQ8000EV	UNLESS OTHERWISE SPECIFIED TOLERANCES X ±.060 .XX ±.030 .XXX ±.015	 <small>THIS IS A PROPRIETARY DOCUMENT. DO NOT REPRODUCE OR DISCLOSE WITHOUT THE EXPRESS WRITTEN PERMISSION OF ICE QUBE, INC.</small>
MATERIAL SEE CHART N/A		FRACTIONAL ±1/4 ANGULAR ±1/2°	
EST WT: lbs		SURFACE FINISH 63	DESCRIPTION IQ8000EV SPEC DRAWING
DRAWN BY ART	DATE 10/12/2016	SCALE 1:5	DRAWING NUMBER IQ351080
		DO NOT SCALE DRAWING DIMENSIONS ARE INCHES	REV F