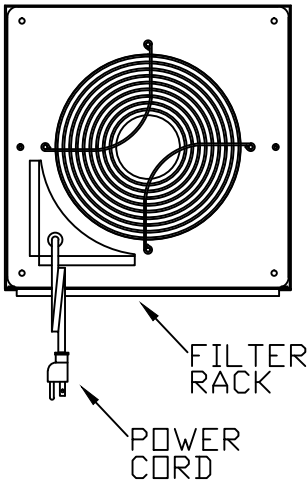


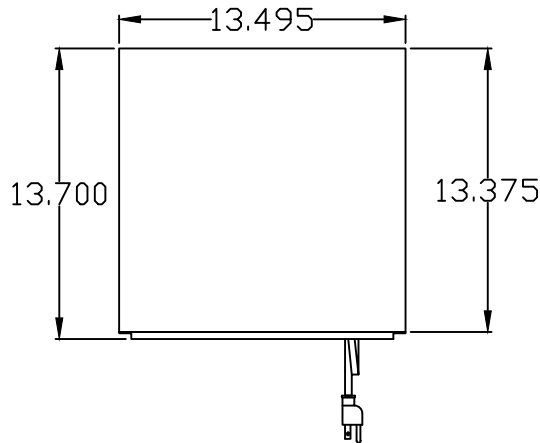
IQ500FP-H SPEC DRAWING

547/442 CFM FREE AIR @ 120/110 VAC 60/50 HZ
 PUSH-PULL : 1094/884 CFM FREE AIR @ 120/110 VAC 60/50 HZ
 547/442 CFM FREE AIR @ 230/220 VAC 60/50 HZ
 PUSH-PULL : 1094/884 CFM FREE AIR @ 230/220 VAC 60/50 HZ
 MAXIMUM AMPS : .28/.30 @ 120/110 VAC 60/50 HZ
 PUSH-PULL : MAXIMUM AMPS : .56/.60 @ 120/110 VAC 60/50 HZ
 MAXIMUM AMPS : .14/.15 @ 230/220 VAC 60/50 HZ
 PUSH-PULL : MAXIMUM AMPS : .28/.30 @ 230/220 VAC 60/50 HZ
 MAXIMUM OPERATING TEMPERATURE : 158°F
 WEIGHT: 24 LBS

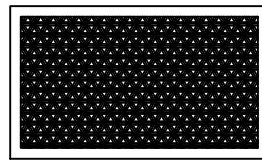
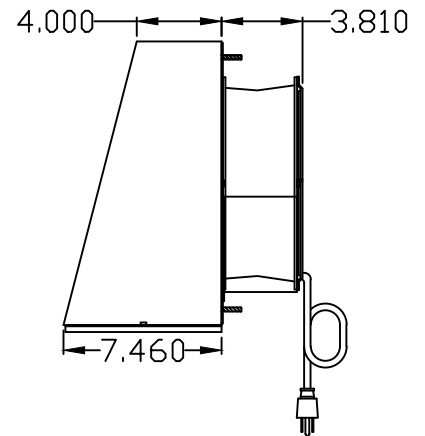
REAR



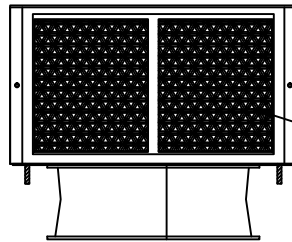
FRONT



SIDE

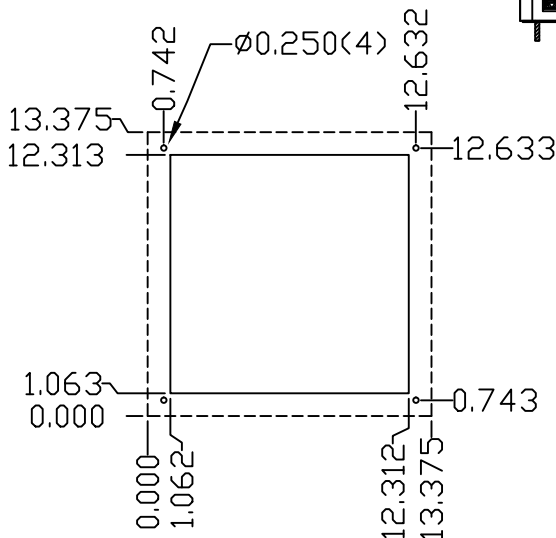


INTAKE FILTER
 POLYPROPYLENE
 EXHAUST MESH



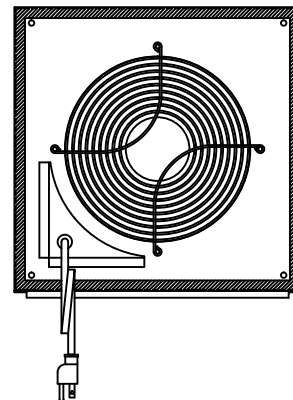
FILTER

IQ500FP-H
 CUTOUT DRAWING



BOTTOM

IQ500FP-H
 GASKET
 DRAWING



1	ADDED PUSH-PULL	6-12-17	RCC
0	INITIAL RELEASE	10-19-07	JMH
REV	DESCRIPTION	DATE	CHECKED
	REVISIONS		

PROPRIETARY DRAWING
 THIS DRAWING IS THE PROPERTY OF ICE
 QUBE, INC. AND IS NOT TO BE REPRODUCED
 OR ALTERED WITHOUT AUTHORIZATION OF
 ICE QUBE, INC.

DRAWN	SCALE
JMH	NONE
DATE	
10-19-07	
SHEET 1 OF 1	

	INDUSTRIAL COOLING EQUIPMENT 140 WELSH AVENUE GREENSBORO, NC 27409 781-837-8884 • 1-800-827-8284 FAX 781-837-8886
	PART NAME
	IQ500FP-H
DWG NO	IQ270913
REV	1