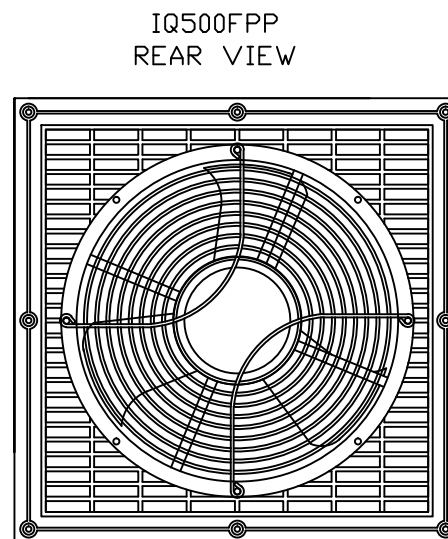
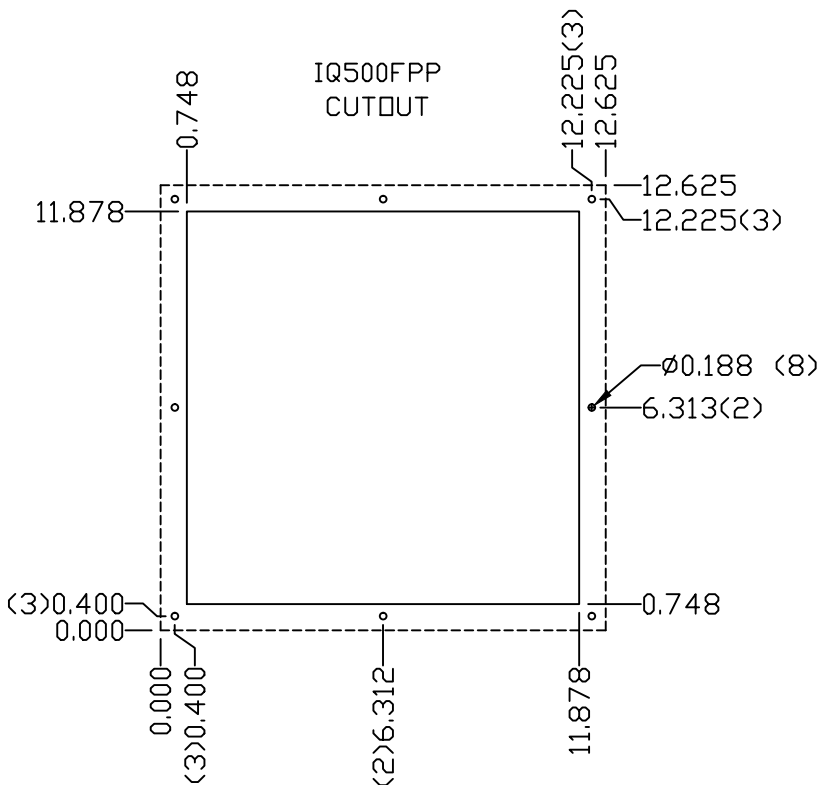
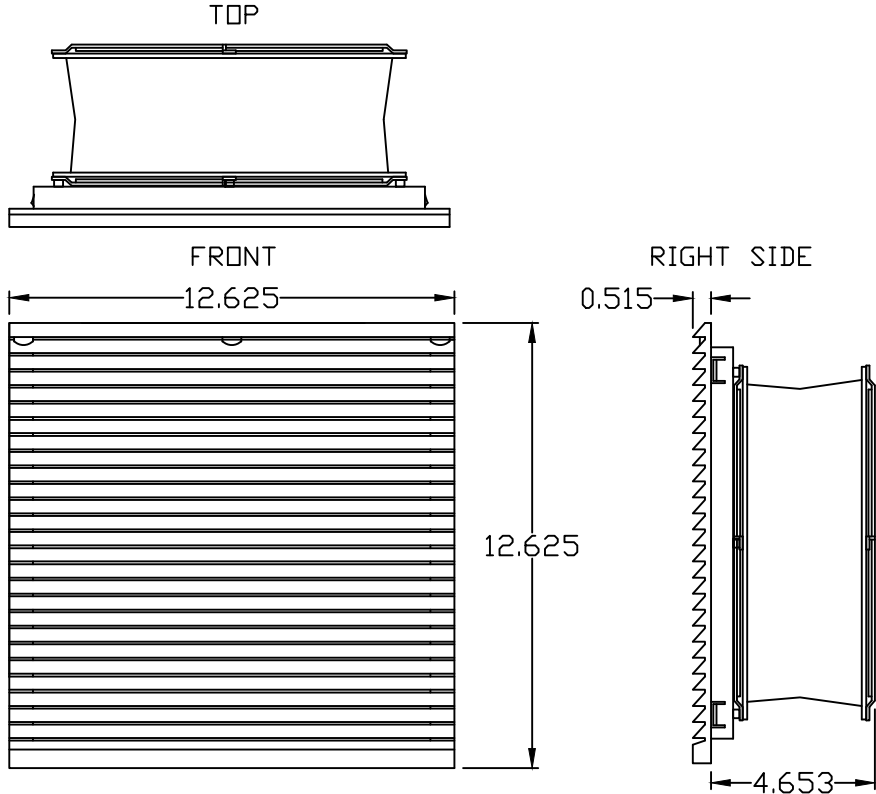


IQ500FPP SPEC DRAWING

547/442 CFM FREE AIR @ 120/110 VAC 60/50 HZ  
 PUSH-PULL : 1094/884 CFM FREE AIR @ 120/110 VAC 60/50 HZ  
 547/442 CFM FREE AIR @ 230/220 VAC 60/50 HZ  
 PUSH-PULL : 1094/884 CFM FREE AIR @ 230/220 VAC 60/50 HZ  
 MAXIMUM AMPS : .28/.30 @ 120/110 VAC 60/50 HZ  
 PUSH-PULL : MAXIMUM AMPS : .56/.60 @ 120/110 VAC 60/50 HZ  
 MAXIMUM AMPS : .14/.15 @ 230/220 VAC 60/50 HZ  
 PUSH-PULL : MAXIMUM AMPS : .28/.30 @ 230/220 VAC 60/50 HZ  
 MAXIMUM OPERATING TEMPERATURE : 158°F  
 WEIGHT: 6 LBS



REV	DESCRIPTION	DATE	CHECKED
3	ADDED PUSH-PULL	6-12-17	RCC
2	UPDATED SPEC	2-10-10	JMH
1	UPDATED SPEC	11-14-08	JMH
0	INITIAL RELEASE	8-26-08	JMH

PROPRIETARY DRAWING  
 THIS DRAWING IS THE PROPERTY OF ICE  
 EQUIPMENT, INC. AND IS NOT TO BE REPRODUCED  
 OR ALTERED WITHOUT AUTHORIZATION BY  
 ICE EQUIPMENT, INC.

DRAWN: JMH  
 SCALE: NONE  
 DATE: 8-26-08  
 SHEET 1 OF 1

	INDUSTRIAL CEILING EQUIPMENT 24 WALTON AVENUE BRIDGEVILLE, PA 19008 781-407-0300 • 1-800-427-0300 FAX 781-427-0306
	PART NAME: IQ500FPP DWG NO: IQ280814 REV: 3