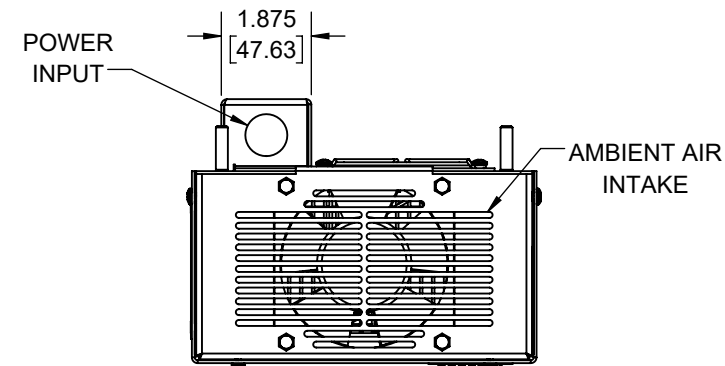
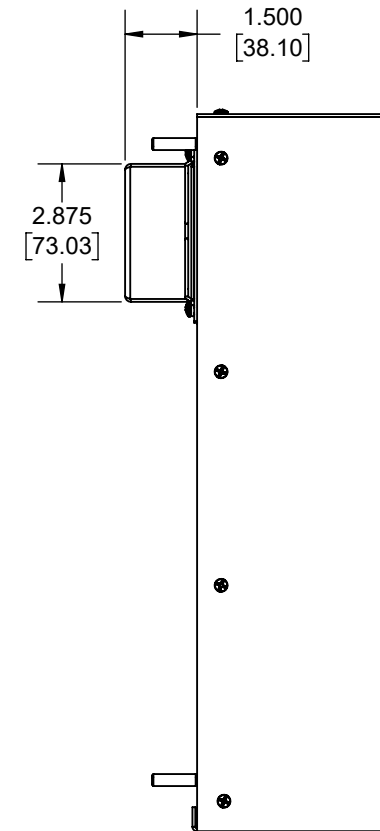
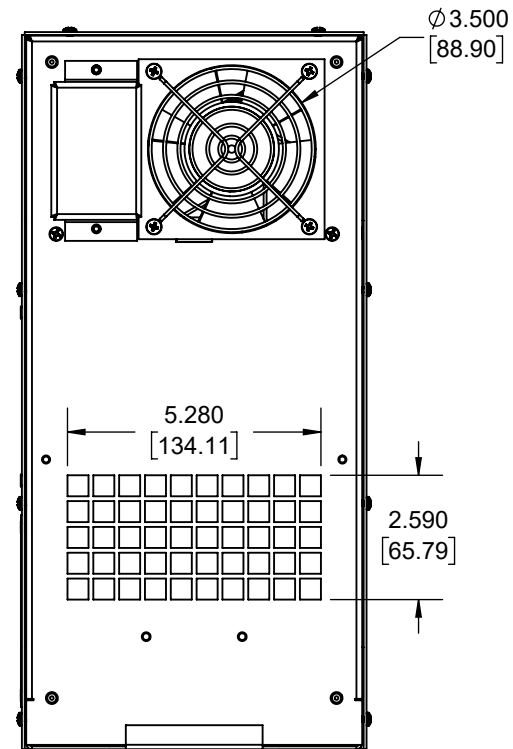
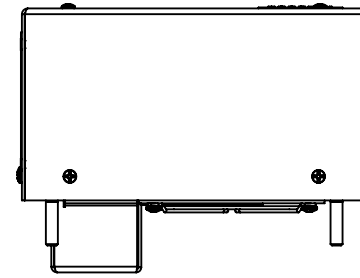
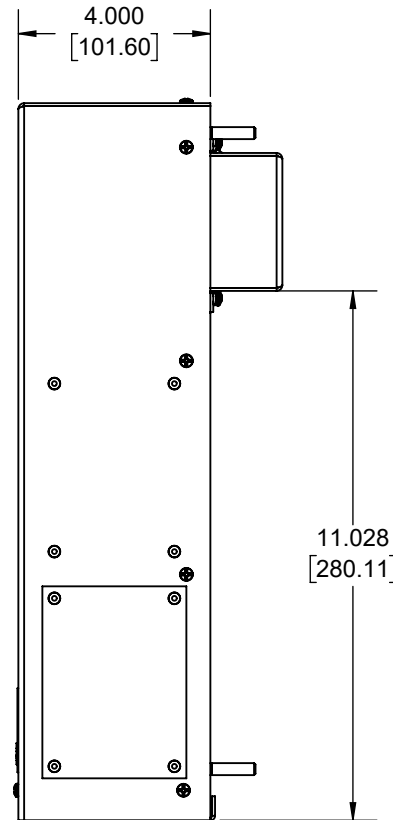
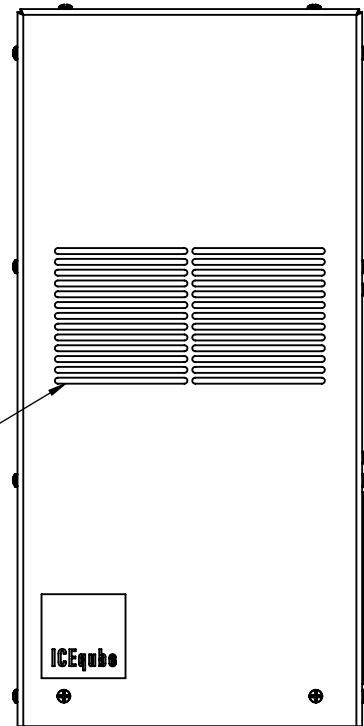
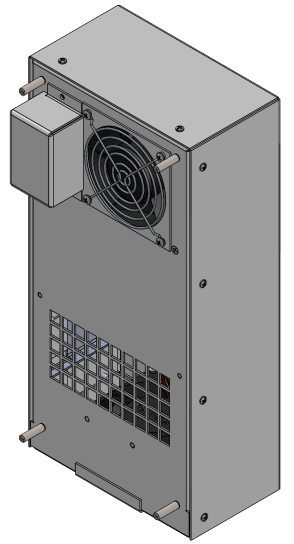
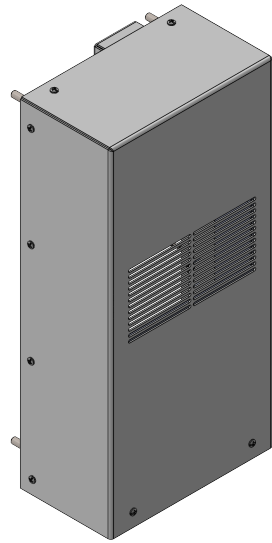


# IQ700HE



AMBIENT AIR EXHAUST

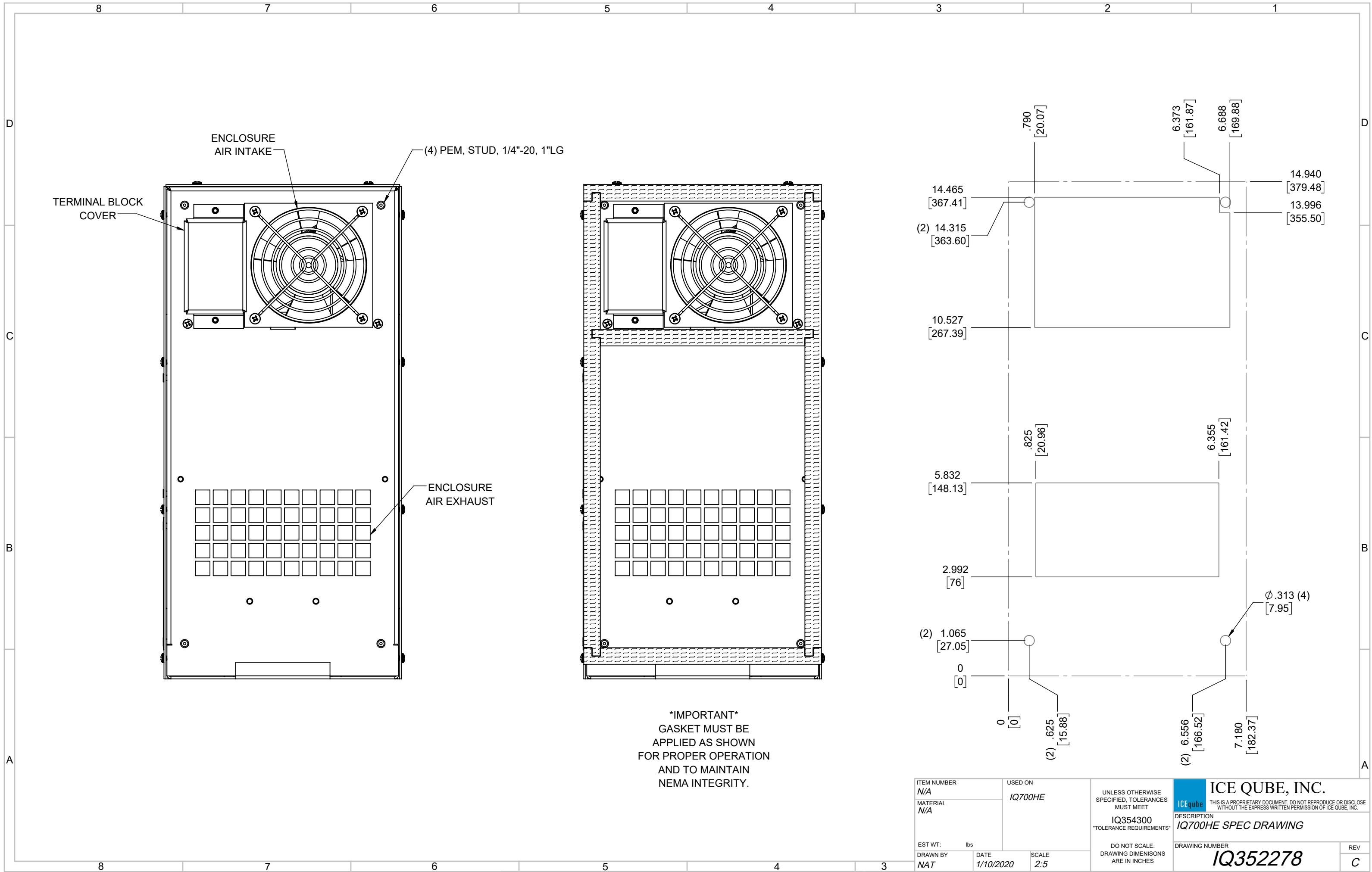
IQ700HE  
 COOLING CAPACITY: 5.7 WATTS/°F @ 120/230VAC  
 COOLING CAPACITY: 6.5 WATTS/°F @ 24/48VDC  
 AMPS: 0.24 A (28.8 W) @ 120VAC  
 AMPS: 0.13 A (29.9 W) @ 230VAC  
 AMPS: 0.70 A (16.8 W) @ 24VDC  
 AMPS: 0.44 A (21.1 W) @ 48VDC (NOT UL)  
 MAXIMUM OPERATING TEMPERATURE: 176 °F (80 °C)  
 DIMENSIONS: 14.940" (380MM) H X 7.180" (183MM) W X 4.00" (102MM) D  
 WEIGHT: 11.7 LBS (5.3KG)

REV	CHG	REVISION	DATE	APP	DATE	CN #
C		UPDATED 48VDC AMPS AND WATTS	NAT	10/10/2024		ECN-1608
B		UPDATE 24VDC, 48VDC AMPS AND WATTS	JJH	9/9/2022		
A		INITIAL DRAFT	NAT	1/10/2020		

ITEM NUMBER N/A	USED ON IQ700HE
MATERIAL N/A	
EST WT: lbs	
DRAWN BY NAT	DATE 1/10/2020
	SCALE 1:4

UNLESS OTHERWISE SPECIFIED, TOLERANCES MUST MEET  
 IQ354300  
 \*TOLERANCE REQUIREMENTS\*  
 DO NOT SCALE. DRAWING DIMENSIONS ARE IN INCHES

**ICE QUBE, INC.**  
THIS IS A PROPRIETARY DOCUMENT. DO NOT REPRODUCE OR DISCLOSE WITHOUT THE EXPRESS WRITTEN PERMISSION OF ICE QUBE, INC.  
 DESCRIPTION  
**IQ700HE SPEC DRAWING**  
 DRAWING NUMBER  
**IQ352278**



ITEM NUMBER N/A	USED ON IQ700HE	UNLESS OTHERWISE SPECIFIED, TOLERANCES MUST MEET	ICE QUBE, INC. THIS IS A PROPRIETARY DOCUMENT. DO NOT REPRODUCE OR DISCLOSE WITHOUT THE EXPRESS WRITTEN PERMISSION OF ICE QUBE, INC.
MATERIAL N/A			
EST WT: lbs		DESCRIPTION IQ354300 "TOLERANCE REQUIREMENTS"	DESCRIPTION IQ700HE SPEC DRAWING
DRAWN BY NAT	DATE 1/10/2020	SCALE 2:5	DRAWING NUMBER IQ352278
		DO NOT SCALE. DRAWING DIMENSIONS ARE IN INCHES	REV C