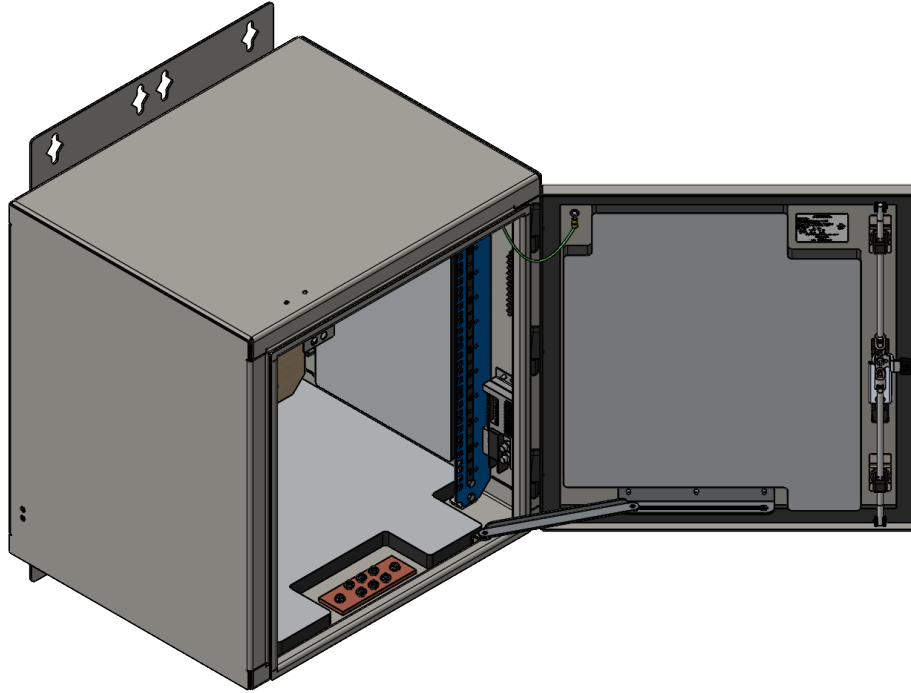


ICEqube MULTI-PURPOSE CABINETS, PULL OUT RED TREATED FIRE-RETARDANT PANEL, AND 12RU 19" FIXED RACKS.



DESCRIPTION:

FOR GENERAL USE IN BEING MOUNTED TO, BUT NOT LIMITED TO, POLES OR WALLS.

OVERALL DIMENSIONS	31.5"H x 24"W X 21.225"D - WITH POLE/WALL MOUNT BRACKETS (800"H X 610"W X 539"D) MM
CABINET DIMENSIONS	25"H X 24"W X 20"D (635"H X 610"W X 508"D) MM
RATING/CERTIFICATION	NEMA TYPE 12, 3R, 4, 4X, AND IP66/UL LISTED
RACK SPACE/WIDTH	12RU/19" RACK EIA STANDARD
PULL OUT PANEL	22.5"H X 21.5"W RED TREATED FIRE-RETARDANT PANEL (571.5"H X 546"W) MM
CONSTRUCTION	.125" (3.175 MM) 5052-H32 WELDED ALUMINUM
FINISH	POWDER COATED IN RAL9002 BG OR CUSTOM
MOUNTING	WALL OR POLE, BUT NOT LIMITED TO
INSULATION	R5 INSULATION OPTIONAL
DOOR LOCK	PADLOCKABLE STANDARD WITH HEX HEAD OPTIONAL
BONDING AND GROUNDING	6 POSITION, 2 HOLE GROUND BAR, GROUNDED DOOR, 2 EXTERNAL LUG LOCATIONS
CLIMATE CONTROL 1	AC COOLING: 1000-3000 BTU/H COOLING (293-880W) HEATER: UP TO 500W HEAT EXCHANGER: 23W°F (41.4W/°C) FAN PACK: 190-550CFM
CLIMATE CONTROL LOCATION	DOOR MOUNTED

FOOTNOTES

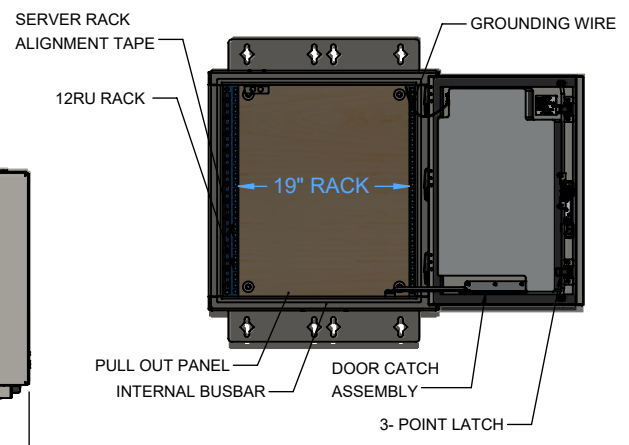
1. AC OR DC VOLTAGE.

THIS IS A PROPRIETARY DOCUMENT. DO NOT REPRODUCE OR DISCLOSE WITHOUT THE EXPRESS WRITTEN PERMISSION OF ICEqube.

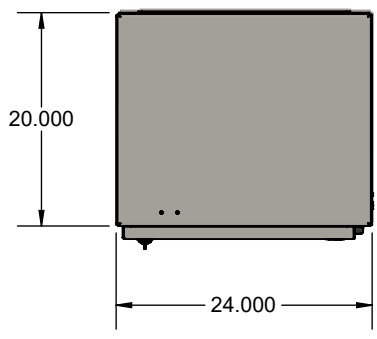
PART NUMBER N/A		UNLESS OTHERWISE SPECIFIED TOLERANCES		ICEqube THIS IS A PROPRIETARY DOCUMENT. DO NOT REPRODUCE OR DISCLOSE WITHOUT THE EXPRESS WRITTEN PERMISSION OF ICEqube.	
MATERIAL		.X ±.060	.XX ±.030	DESCRIPTION MULTI-PURPOSE NetworkQUBE[®] CABINET	
EST WT: lbs		.XXX ±.015	FRACTIONAL ±1/16	DRAWING NUMBER IQ354390	
DRAWN BY JWS		DATE 4/12/2024	SCALE 1:12	REV A	
		SURFACE FINISH ⁶³ /✓		DO NOT SCALE DRAWING DIMENSIONS ARE INCHES	

ICEqube MULTI-PURPOSE CABINETS, PULL OUT RED TREATED FIRE-RETARDANT PANEL, AND 12RU 19" FIXED RACKS.

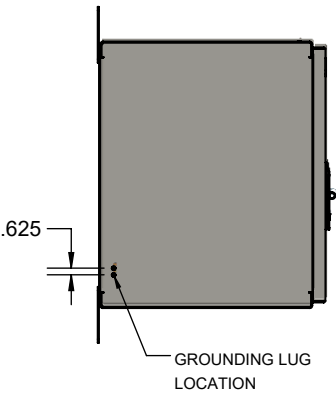
FRONT VIEW - DOOR OPEN



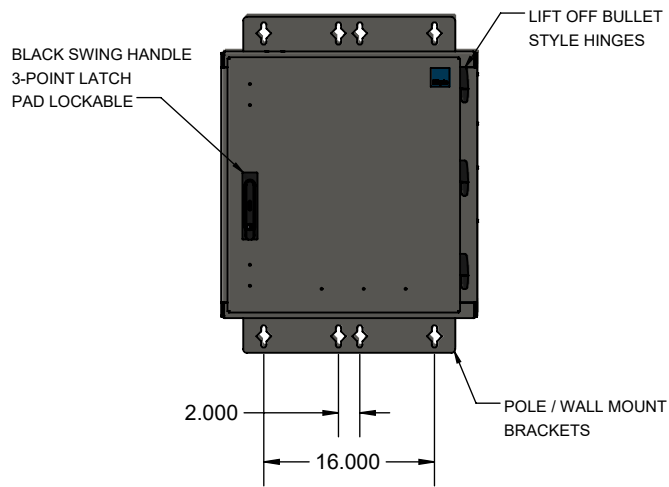
TOP VIEW



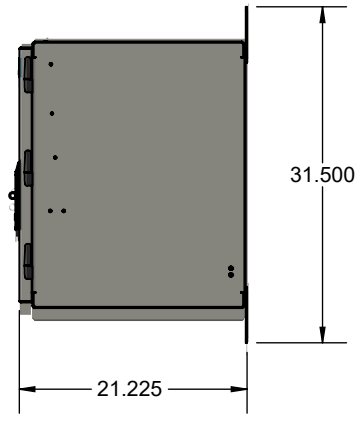
LEFT SIDE VIEW



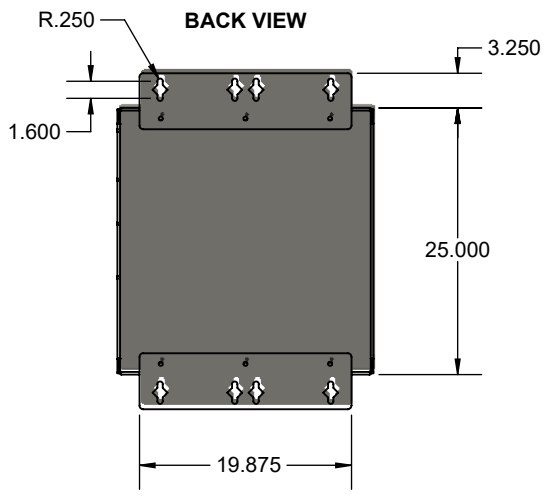
FRONT VIEW



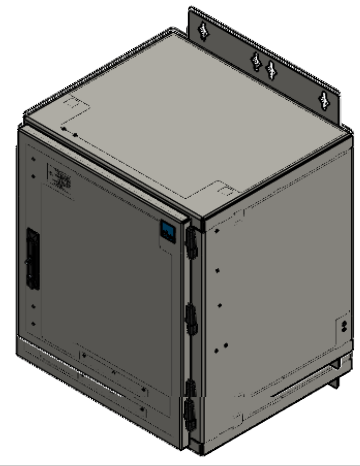
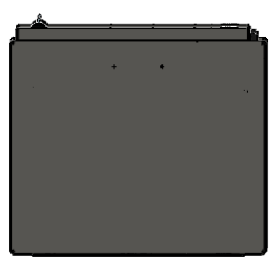
RIGHT SIDE VIEW



BACK VIEW



BOTTOM VIEW



THIS IS A PROPRIETARY DOCUMENT. DO NOT REPRODUCE OR DISCLOSE WITHOUT THE EXPRESS WRITTEN PERMISSION OF ICEqube.

PART NUMBER	N/A
MATERIAL	ALUMINUM
EST WT:	lbs
DRAWN BY	JWS
DATE	4/12/2024
SCALE	1:18

UNLESS OTHERWISE SPECIFIED TOLERANCES	
.X	±.060
.XX	±.030
.XXX	±.015
FRACTIONAL	±1/4
ANGULAR	±1/2°
SURFACE FINISH	63
DO NOT SCALE DRAWING DIMENSIONS ARE INCHES	

ICEqube	
THIS IS A PROPRIETARY DOCUMENT. DO NOT REPRODUCE OR DISCLOSE WITHOUT THE EXPRESS WRITTEN PERMISSION OF ICEqube.	
DESCRIPTION	
MULTI-PURPOSE NetworkQUBE [®] CABINET	
DRAWING NUMBER	REV
IQ354390	A

ICEqube

AN AMERIQUBE COMPANY

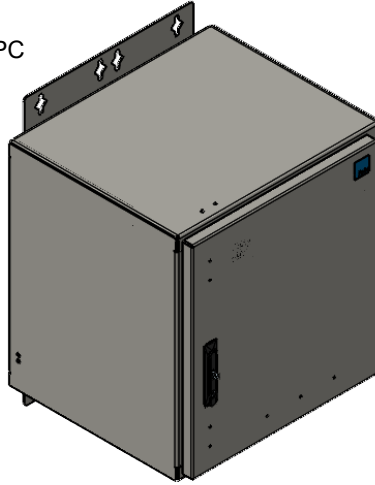
networkQUBE[®]
mpc series

NEMA TYPE 12,3R,4,4X AND IP66

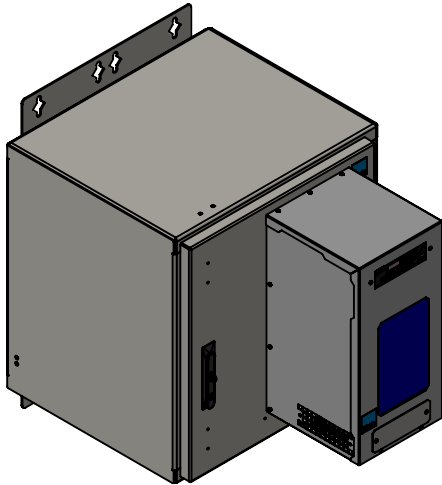
IQ252420NWQ-MPC

ICEqube MULTI-PURPOSE CABINETS, PULL OUT RED TREATED FIRE-RETARDANT PANEL, AND 12RU 19" FIXED RACKS.

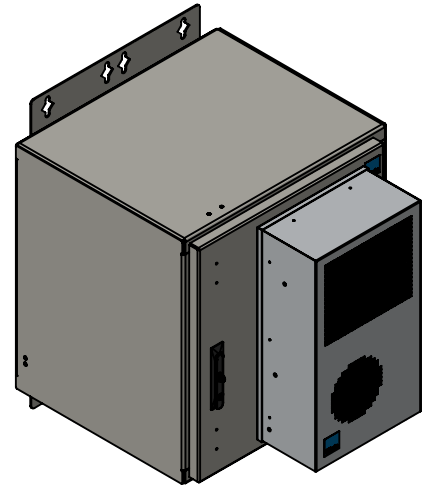
IQ252420NWQ-MPC
NO COOLING



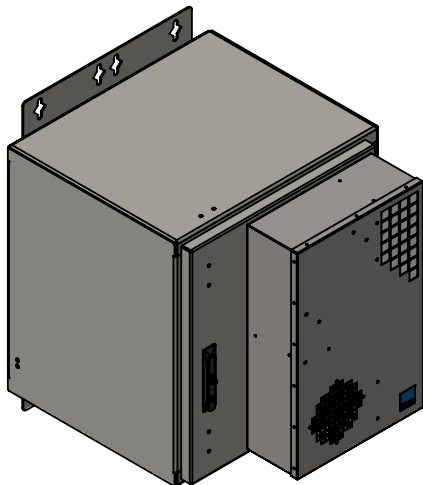
IQ252420NWQ-MPC
IQ3EVpro



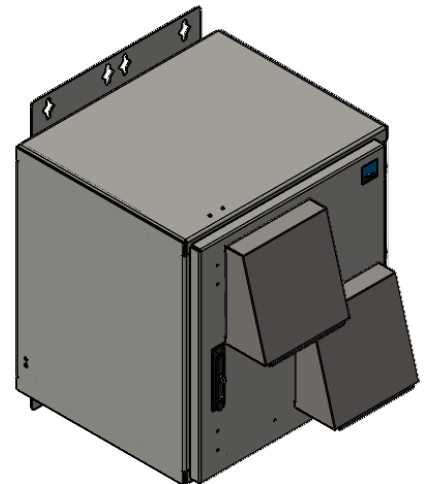
IQ252420NWQ-MPC
IQ2000BDC



IQ252420NWQ-MPC
IQ2800HE-XF



IQ252420NWQ-MPC
IQ200FP-H



THIS IS A PROPRIETARY DOCUMENT. DO NOT REPRODUCE OR DISCLOSE WITHOUT THE EXPRESS WRITTEN PERMISSION OF ICEqube.

PART NUMBER
N/A

MATERIAL
ALUMINUM

EST WT: lbs

DRAWN BY
JWS

DATE
4/12/2024

SCALE
1:12

UNLESS OTHERWISE SPECIFIED TOLERANCES

.X ±.060
.XX ±.030
.XXX ±.00R

FRACTIONAL ±1/16
ANGULAR ±1/2°

SURFACE FINISH 63

DO NOT SCALE DRAWING DIMENSIONS ARE INCHES



ICEqube

THIS IS A PROPRIETARY DOCUMENT. DO NOT REPRODUCE OR DISCLOSE WITHOUT THE EXPRESS WRITTEN PERMISSION OF ICEqube.

DESCRIPTION

MULTI-PURPOSE NetworkQUBE[®] CABINET

DRAWING NUMBER

IQ354390

REV

A

PART NUMBER STRUCTURE: IQ-R-F-EB-IP-IP-I-H-M-A

Example Configuration: IQ252420NWQ-MPC-N4-C1-T1-P1-I2-H3-M1-A2 (IQ252420NWQ-MPC, CABINET RATING NEMA TYPE 4 WITH BG RAL9002 FINISH. NO EQUIPMENT BAY CLIMATE CONTROL. 10 POSITION +/-24 POWER AND NO INSULATION. STAINLESS L HANDLE PAD LOCK HOLE WITH WALL/H-FRAME BRACKETS AND NO ALARM PANEL).

PART NUMBER KEY	
IQ:	ICEqube MODEL
R:	RATING
F:	FINISH
EB:	EQUIPMENT BAY CLIMATE CONTROL
IP:	INTEGRATED POWER
I:	INSULATION
H:	HANDLES
M:	MOUNTING
A:	ALARM
(R) RATING	
N1:	NEMA TYPE 12
N2:	NEMA TYPE 12, 3R
N3:	NEMA TYPE 12, 3R, 4 & IP66
N4:	NEMA TYPE 12, 3R, 4, 4X & IP66
(F) FINISH	
C1:	BG RAL9002
C2:	CM

(EB) EQUIPMENT BAY CLIMATE CONTROL	
T1:	NO EQUIPMENT BAY CLIMATE CONTROL
T2:	IQ3EV pro-126-BG-N4-CP3
T3:	IQ3EV pro-225-BG-N4-CP3
T4:	IQ3EV pro-480-BG-N4-CP3
T5:	IQ3EV pro-126-SS316-N4X-CP3
T6:	IQ3EV pro-225-SS316-N4X-CP3
T7:	IQ3EV pro-480-SS316-N4X-CP3
T8:	IQ2000BDC-48VDC-N4-BG
T9:	IQ2800HE-126-BG-N4-FCS-PC
T10:	IQ2800HE-230-BG-N4-FCS
T11:	IQ2800HE-48VDC-BG-N4-FSC
T12:	IQ200FP-RAL9002-120
T13:	IQ200FP-RAL9002-230
T14:	IQ200FP-H-RAL9002-120
T15:	IQ200FP-H-RAL9002-230
(IP) INTEGRATED POWER	
P1:	YES-10 POSITION +/-24
P2:	NO FUSE PANEL
(I) INSULATION	
I1:	R5
I2:	NO INSULATION
(H) HANDLES	
H1:	STANDARD SWING WITH PAD LOCK HOLE
H2:	SWING WITH PAD LOCK HOLE & HEX HEAD
H3:	STAINLESS L HANDLE PAD LOCK HOLE (N4 OPTION)
(M) MOUNTING	
M1:	WALL/H-FRAME BRACKETS
M2:	POLE MOUNT KIT AND WALL/H-FRAME BRACKETS
(A) ALARM	
A1:	10 POSITION ALARM PANEL
A2:	NO ALARM PANEL