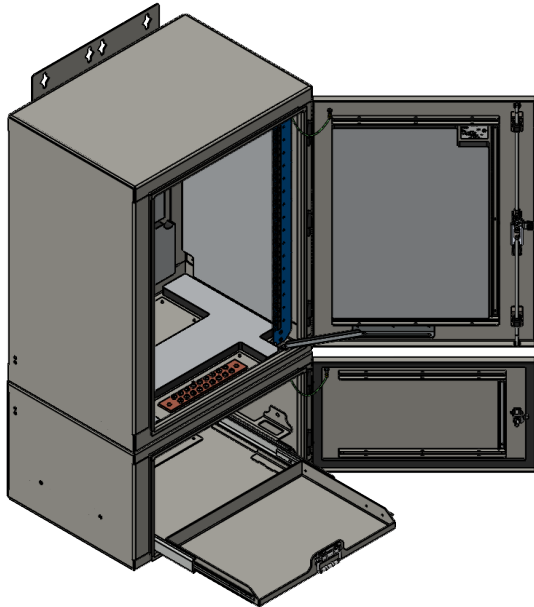


ICEqube WALL/POLE/PAD MOUNT EQUIPMENT AND EZ-ACCESS™ BATTERY BAY CABINETS, 16RU 23" FIXED RACKS.



DESCRIPTION:

WALL / POLE / PAD MOUNT 16RU MODULAR CABINET FEATURES 23" RACKS AND 19" ADAPTERS TO ACCOMMODATE YOUR RACKING REQUIREMENTS. HEAT EXCHANGERS, AC UNITS, OR FAN PACKS ARE ALSO AVAILABLE TO FIT YOUR NEEDS.

EZ-ACCESS™ BATTERY CHAMBER HOUSES A SLIDE OUT TRAY FOR A SINGLE STRING OF BATTERIES.

OVERALL DIMENSIONS	58.5"H x 28"W X 21.5"D - WITH POLE/WALL MOUNT BRACKETS (1486"H X 711"W X 508"D) MM	
CABINET DIMENSIONS	36.0"H X 28"W X 20"D (914"H X 711"W X 508"D) MM	
RATING/CERTIFICATION	NEMA TYPE 12, 3R, 4, 4X, AND IP66/UL LISTED	
RACK SPACE/WIDTH	18RU/23" RACK EIA STANDARD	19" RACK ADAPTERS AVAILABLE
CONSTRUCTION	.125" (3.175 MM) 5052-H32 WELDED ALUMINUM	
FINISH	POWDER COATED IN RAL9002 BG OR CUSTOM	
MOUNTING	WALL OR POLE, BUT NOT LIMITED TO	
INSULATION	R5 INSULATION OPTIONAL	
DOOR LOCK	PADLOCKABLE STANDARD WITH HEX HEAD OPTION	
BONDING AND GROUNDING	18 POSITION, 2 HOLE GROUND BAR, GROUNDED DOOR, 2 EXTERNAL GROUNDING LUG LOCATIONS	
CLIMATE CONTROL 1	AC COOLING: 1000-6000 BTU/H COOLING (293-1758W)	HEATER: UP TO 1000W
	HEAT EXCHANGER: 23W/°F (41.4W/°C)	FAN PACK: 190-550CFM
CLIMATE CONTROL LOCATION	DOOR MOUNTED	
BATTERY CHAMBER LATCH/LOCK	SLOT OR 3MM DOUBLE BIT QUARTER TURN LATCH	
BATTERY CHAMBER TRAY	EZ-ACCESS™ PULL OUT TRAY	
BATTERY CHAMBER CAPACITY	SINGLE STRING	
BATTERY CHAMBER DIMENSIONS	16.0"H X 28.0"W X 20.0"D (406"H X 711"W X 508"D) MM	

FOOTNOTES

1. AC OR DC VOLTAGE.

THIS IS A PROPRIETARY DOCUMENT. DO NOT REPRODUCE OR DISCLOSE WITHOUT THE EXPRESS WRITTEN PERMISSION OF ICEqube.

PART NUMBER <i>N/A</i>	USED ON
MATERIAL <i>ALUMINUM</i>	
EST WT: _____ lbs	
DRAWN BY <i>JWS</i>	DATE <i>4/12/2024</i>
	SCALE <i>1:16</i>

UNLESS OTHERWISE SPECIFIED TOLERANCES

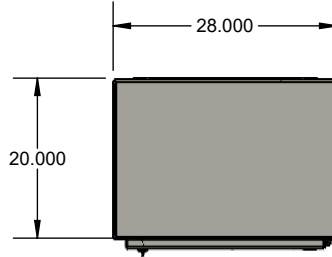
.X	± .060
.XX	± .030
.XXX	± .015
FRACTIONAL ANGULAR	± 1/4° ± 1/2°
SURFACE FINISH	63 ✓

DO NOT SCALE DRAWING DIMENSIONS ARE INCHES

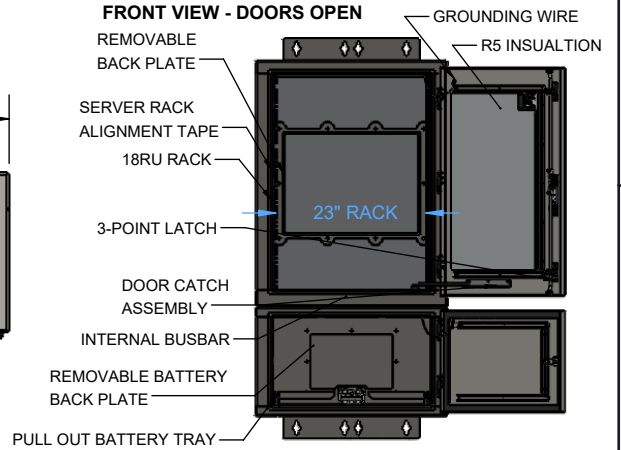
ICEqube	THIS IS A PROPRIETARY DOCUMENT. DO NOT REPRODUCE OR DISCLOSE WITHOUT THE EXPRESS WRITTEN PERMISSION OF ICEqube.
DESCRIPTION WALL/POLE/PAD MOUNT NetworkQUBE® CABINETS	
DRAWING NUMBER IQ354469	REV A

ICEqube WALL/POLE/PAD MOUNT EQUIPMENT AND EZ-ACCESS™ BATTERY BAY CABINETS, 16RU 23" FIXED RACKS.

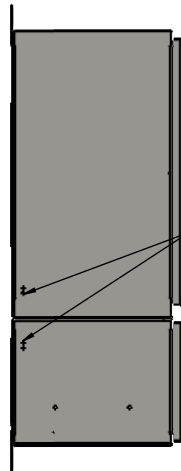
TOP VIEW



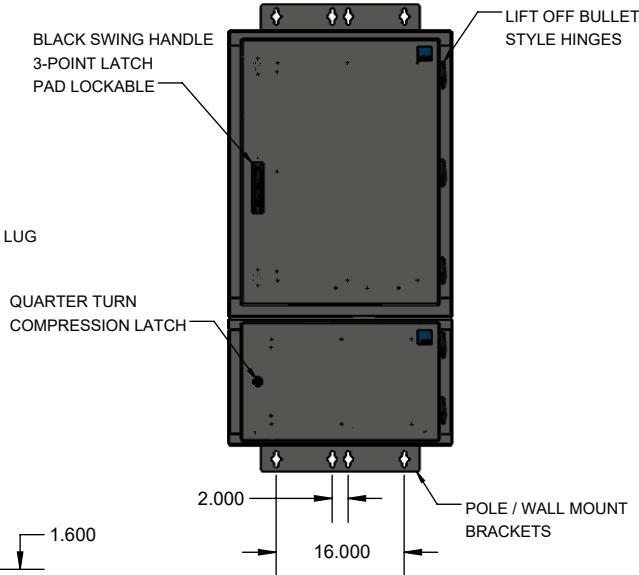
FRONT VIEW - DOORS OPEN



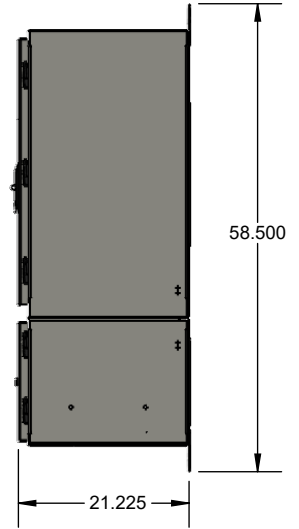
LEFT SIDE VIEW



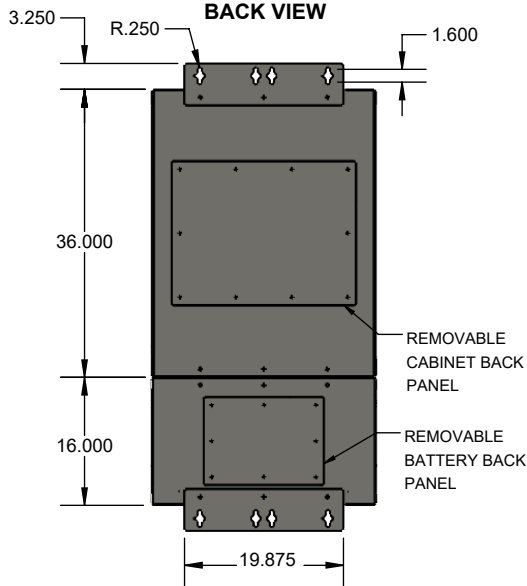
FRONT VIEW



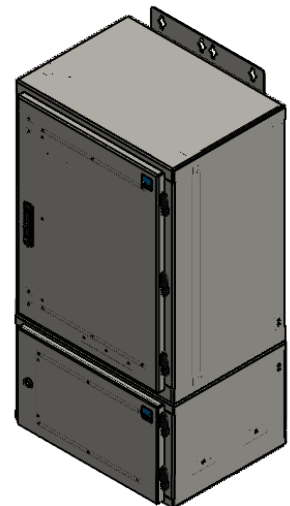
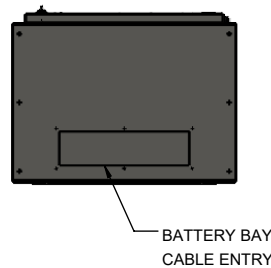
RIGHT SIDE VIEW



BACK VIEW



BOTTOM VIEW



THIS IS A PROPRIETARY DOCUMENT. DO NOT REPRODUCE OR DISCLOSE WITHOUT THE EXPRESS WRITTEN PERMISSION OF ICEqube.

PART NUMBER
N/A

MATERIAL
ALUMINUM

USED ON

UNLESS OTHERWISE SPECIFIED TOLERANCES

.X ±.060
.XX ±.030
.XXX ±.015

FRACTIONAL ±1/4
ANGULAR ±1/2°

SURFACE FINISH ⁶³✓

DO NOT SCALE DRAWING DIMENSIONS ARE INCHES

ICEqube
THIS IS A PROPRIETARY DOCUMENT. DO NOT REPRODUCE OR DISCLOSE WITHOUT THE EXPRESS WRITTEN PERMISSION OF ICEqube.

DESCRIPTION
**WALL/POLE/PAD MOUNT
NetworkQUBE® CABINETS**

DRAWING NUMBER

IQ354469

EST WT: lbs

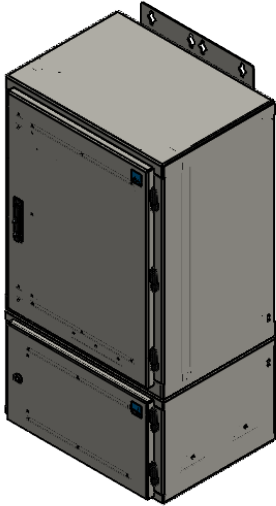
DRAWN BY
JWS

DATE
4/12/2024

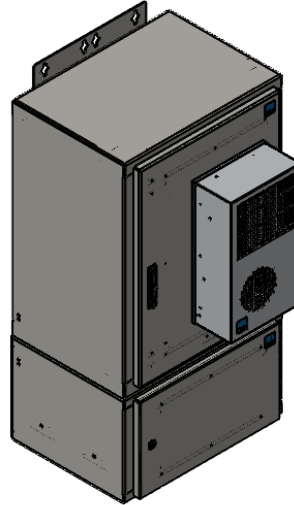
SCALE
1:24

A	INITIAL DRAFT	JWS	8/2/2024				
REV	REVISION	CHG	DATE	APP	APP	DATE	CN#

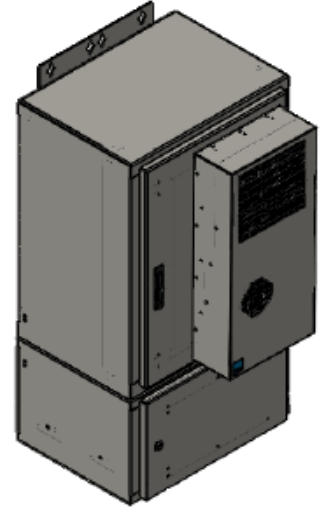
ICEqube WALL/POLE/PAD MOUNT EQUIPMENT AND EZ-ACCESS™ BATTERY BAY CABINETS, 16RU 23" FIXED RACKS.



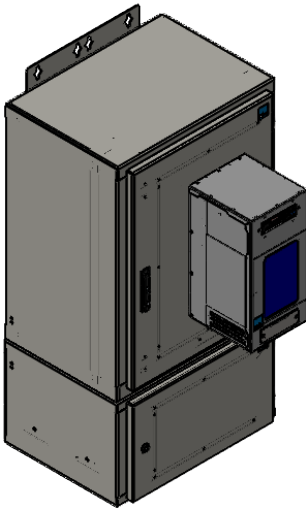
IQ522820NWQ-WCB
NO COOLING



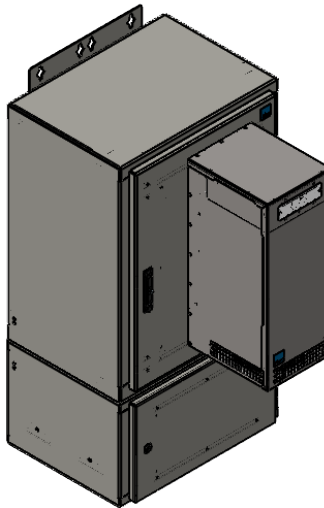
IQ522820NWQ-WCB
IQ2000BDC



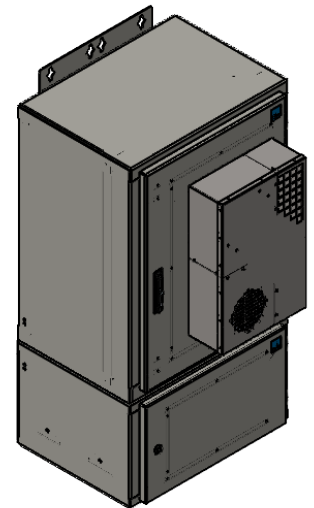
IQ522820NWQ-WCB
IQ3500BDC



IQ522820NWQ-WCB
IQ3EVpro



IQ522820NWQ-WCB
IQ6EVpro



IQ522820NWQ-
WCB IQ2800HE-XF

THIS IS A PROPRIETARY DOCUMENT. DO NOT REPRODUCE OR DISCLOSE WITHOUT THE EXPRESS WRITTEN PERMISSION OF ICEqube.

PART NUMBER
N/A

MATERIAL
ALUMINUM

EST WT:
DRAWN BY
JWS

DATE
4/12/2024

USED ON

SCALE
1:24

UNLESS OTHERWISE SPECIFIED TOLERANCES

.X ±.060
.XX ±.030
.XXX ±.015
FRACTIONAL ±1/4
ANGULAR ±1/2°

SURFACE FINISH $\sqrt{63}$
DO NOT SCALE DRAWING DIMENSIONS ARE INCHES

	THIS IS A PROPRIETARY DOCUMENT. DO NOT REPRODUCE OR DISCLOSE WITHOUT THE EXPRESS WRITTEN PERMISSION OF ICEqube.
	DESCRIPTION WALL/POLE/PAD MOUNT NetworkQUBE[®] CABINETS
DRAWING NUMBER IQ354469	REV A

PART NUMBER STRUCTURE: IQ-R-F-EB-BB-I-H-M

Example Configuration: IQ522820NWQ-WCB-N4-C1-T1-B3-I2-H3-M1

(IQ522820NWQ-WCB, CABINET RATING OF NEMA TYPE 4 WITH BG RAL9002 FINISH. NO EQUIPMENT BAY CLIMATE CONTROL BUT INCLUDES A BATTERY BAY CLIMATE CONTROL SOLID DOOR WITH NO INSULATION. STAINLESS L HANDLE PAD LOCK HOLE WITH WALL/H-FRAME BRACKETS).

PART NUMBER KEY	
IQ:	ICEqube MODEL
R:	RATING
F:	FINISH
EB:	EQUIPMENT BAY CLIMATE CONTROL
BB:	BATTERY BAY CLIMATE CONTROL LOCATION
I:	INSULATION
H:	HANDLES
M:	MOUNTING/PLINTH/PEDESTAL
(R) RATING	
N1:	NEMA TYPE 12
N2:	NEMA TYPE 12, 3R
N3:	NEMA TYPE 12, 3R, 4 & IP66
N4:	NEMA TYPE 12, 3R, 4, 4X & IP66
(F) FINISH	
C1:	BG RAL9002
C2:	CM

(EB) EQUIPMENT BAY CLIMATE CONTROL	
T1:	NO EQUIPMENT BAY CLIMATE CONTROL
T2:	IQ3EV pro-126-BG-N4-CP3
T3:	IQ3EV pro-225-BG-N4-CP3
T4:	IQ3EV pro-480-BG-N4-CP3
T5:	IQ3EV pro-126-SS316-N4X-CP3
T6:	IQ3EV pro-225-SS316-N4X-CP3
T7:	IQ3EV pro-480-SS316-N4X-CP3
T8:	IQ2000BDC-48VDC-N4-BG
T9:	IQ2800HE-126-BG-N4-FSC-PC
T10:	IQ2800HE-230-BG-N4-FSC
T11:	IQ2800HE-48VDC-BG-N4-FSC
T12:	IQ6EV pro-126-BG-N4-CP3
T13:	IQ6EV pro-225-BG-N4-CP3
T14:	IQ6EV pro-480-BG-N4-CP3
T15:	IQ6EV pro-126-SS316-N4X-CP3
T16:	IQ6EV pro-225-SS316-N4X-CP3
T17:	IQ6EV pro-480-SS316-N4X-CP3
T18:	IQ500FP-RAL9002-120
T19:	IQ500FP-RAL9002-230
T20:	IQ500FP-H-RAL9002-120
T21:	IQ500FP-H-RAL9002-230
(BB) BATTERY BAY CLIMATE CONTROL	
B1:	IQ300TEC ON DOOR
B2:	LOUVERED DOOR
B3:	SOLID DOOR
(I) INSULATION	
I1:	R5
I2:	NO INSULATION
(H) HANDLES	
H1:	STANDARD SWING WITH PAD LOCK HOLE
H2:	SWING WITH PAD LOCK HOLE & HEX HEAD
H3:	STAINLESS L HANDLE PAD LOCK HOLE (N4 OPTION)
(M) MOUNTING/PLINTH/PEDESTAL	
M1:	WALL/H-FRAME BRACKETS
M2:	POLE MOUNT KIT AND WALL/H-FRAME BRACKETS
M3:	EXTERNAL ANCHORING BRACKETS