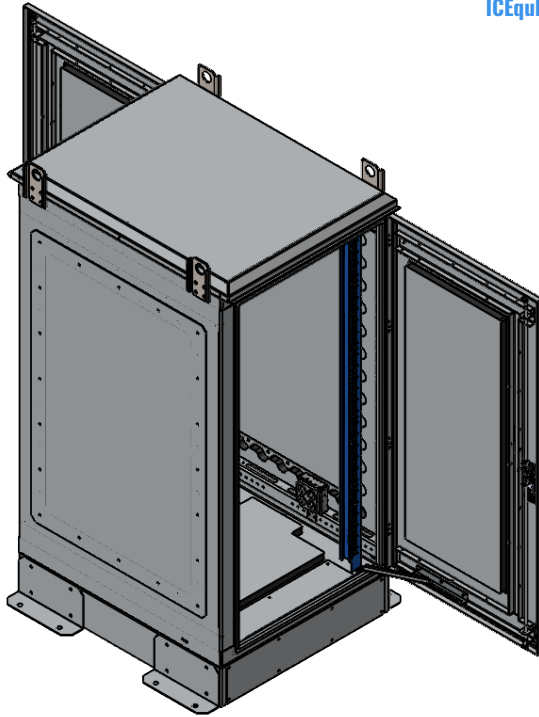


ICEqube DUAL ACCESS WALL/POLE/PAD MOUNT EQUIPMENT CABINETS, 30RU 23" ADJUSTABLE RACKS.



**DESCRIPTION:**

30RU MODULAR CABINET FEATURES 23" RACKS AND 19" ADAPTERS TO ACCOMMODATE YOUR RACKING REQUIREMENTS. HEAT EXCHANGERS, AC UNITS, OR FAN PACKS ARE ALSO AVAILABLE TO FIT YOUR NEEDS.

<b>OVERALL DIMENSIONS</b>	67.125"H x 36.210"W X 40.200"D - WITH SOLAR SHIELD/LIFTING BRACKETS/EXTERNAL ANCHORING BRACKETS (1705"H X 920"W X 1021"D) MM
<b>CABINET DIMENSIONS</b>	57.0"H X 30"W X 36"D (1448"H X 762"W X 914"D) MM
<b>RATING/CERTIFICATION</b>	NEMA TYPE 12, 3R, 4, 4X, AND IP66/UL LISTED
<b>RACK SPACE/WIDTH</b>	30RU/23" RACK EIA STANDARD                      19" RACK ADAPATERS AVAILABLE
<b>CONSTRUCTION</b>	.125" 5052-H32 WELDED ALUMINUM
<b>FINISH</b>	POWDERED COATED IN RAL9002 BG OR CUSTOM
<b>INSULATION</b>	R5 INSULATION OPTIONAL
<b>DOOR LOCK</b>	PADLOCKABLE STANDARD WITH HEX HEAD OPTION
<b>BONDING AND GROUNDING</b>	18 POSITION, 2 HOLE GROUND BAR, GROUNDED DOOR, 2 EXTERNAL GROUNDING LUG LOCATIONS
<b>CLIMATE CONTROL 1</b>	AC COOLING: 6000-24000 BTU/H COOLING (1758-7033W)    HEATER: UP TO 4000W HEAT EXCHANGER: 57-83W°F (102.6-149.4W/°C)                      FAN PACK: 190-550CFM
<b>CLIMATE CONTROL LOCATION</b>	DOOR MOUNTED OR SIDE MOUNTED
<b>PLINTH/PEDESTAL DIMENSIONS</b>	6.00"H X 30"W X 36"D (152"H X 762"W X 914"D) MM

**FOOTNOTES**

1. AC OR DC VOLTAGE.

**THIS IS A PROPRIETARY DOCUMENT. DO NOT REPRODUCE OR DISCLOSE WITHOUT THE EXPRESS WRITTEN PERMISSION OF ICEqube.**

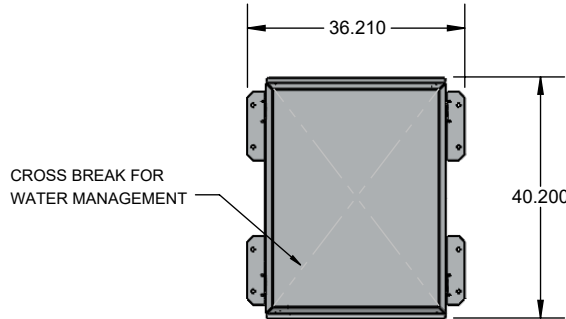
PART NUMBER <i>N/A</i>	USED ON
MATERIAL <i>ALUMINUM</i>	
EST WT:                      lbs	
DRAWN BY <i>JWS</i>	DATE <i>4/12/2024</i>
	SCALE <i>1:24</i>

UNLESS OTHERWISE SPECIFIED TOLERANCES	
.X	± .060
.XX	± .030
.XXX	± .015
FRACTIONAL	± 1/4
ANGULAR	± 1/2*
SURFACE FINISH <input checked="" type="checkbox"/> 63	
DO NOT SCALE DRAWING DIMENSIONS ARE INCHES	

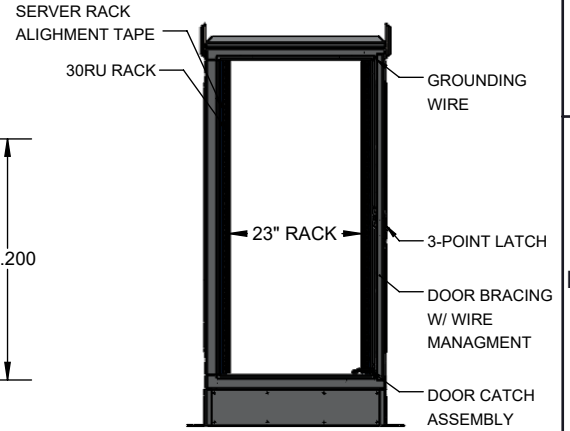
<p><b>ICEqube</b> THIS IS A PROPRIETARY DOCUMENT. DO NOT REPRODUCE OR DISCLOSE WITHOUT THE EXPRESS WRITTEN PERMISSION OF ICEqube.</p>	
DESCRIPTION <b>PAD MOUNT EQUIPMENT</b> <b>NetworkQUBE® CABINETS</b>	
DRAWING NUMBER <b>IQ354500</b>	REV <b>A</b>

**ICEqube DUAL ACCESS WALL/POLE/PAD MOUNT EQUIPMENT CABINETS, 30RU 23" ADJUSTABLE RACKS.**

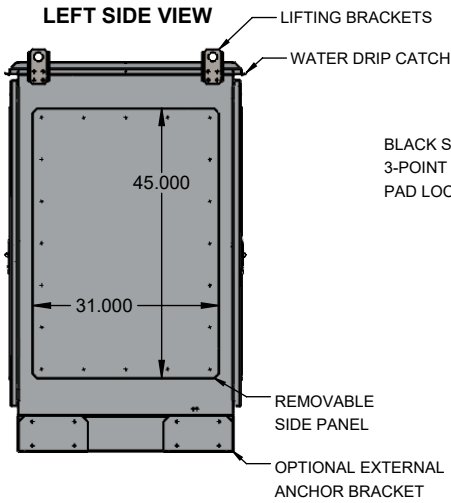
**TOP VIEW**



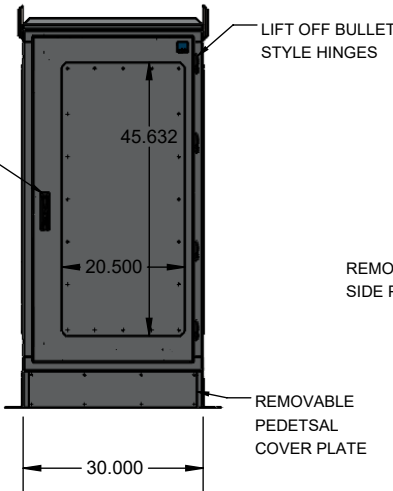
**FRONT VIEW - DOOR OPEN**



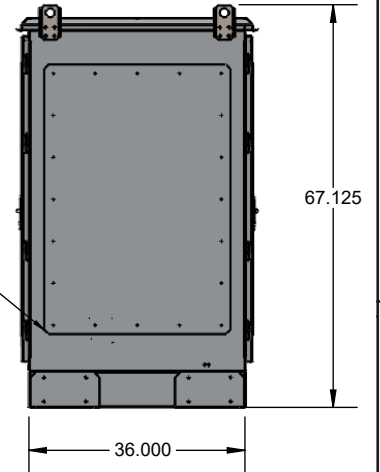
**LEFT SIDE VIEW**



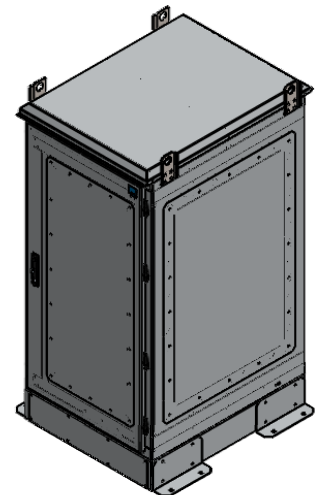
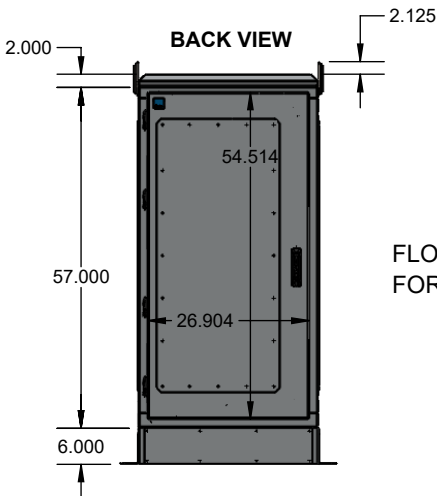
**FRONT VIEW**



**RIGHT SIDE VIEW**



**BACK VIEW**



**THIS IS A PROPRIETARY DOCUMENT. DO NOT REPRODUCE OR DISCLOSE WITHOUT THE EXPRESS WRITTEN PERMISSION OF ICEqube.**

PART NUMBER  
*N/A*

MATERIAL  
*ALUMINUM*

USED ON

UNLESS OTHERWISE SPECIFIED TOLERANCES

.X ±.060  
.XX ±.030  
.XXX ±.015

FRACTIONAL ±1/4  
ANGULAR ±1/2°

SURFACE FINISH  $\checkmark$  63

**ICEqube**

THIS IS A PROPRIETARY DOCUMENT. DO NOT REPRODUCE OR DISCLOSE WITHOUT THE EXPRESS WRITTEN PERMISSION OF ICEqube.

DESCRIPTION  
**PAD MOUNT EQUIPMENT**  
**NetworkQUBE<sup>®</sup> CABINETS**

A	INITIAL DRAFT	JWS	8/5/2024				
REV	REVISION	CHG	DATE	APP	APP	DATE	CN #

EST WT: lbs

DRAWN BY: *JWS*

DATE: *4/12/2024*

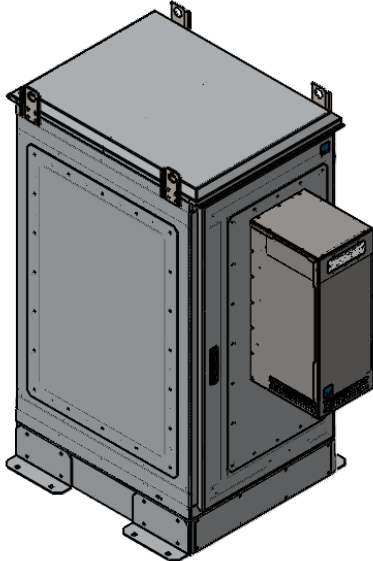
SCALE: *1:24*

DO NOT SCALE DRAWING DIMENSIONS ARE INCHES

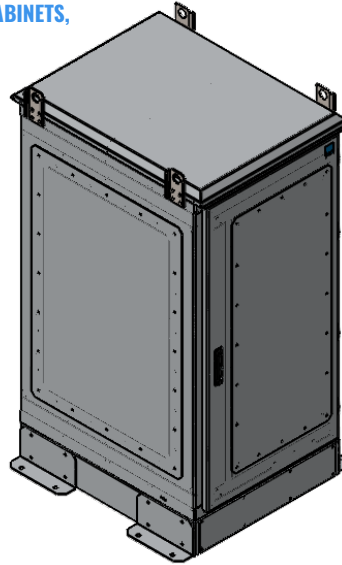
DRAWING NUMBER  
**IQ354500**

REV  
**A**

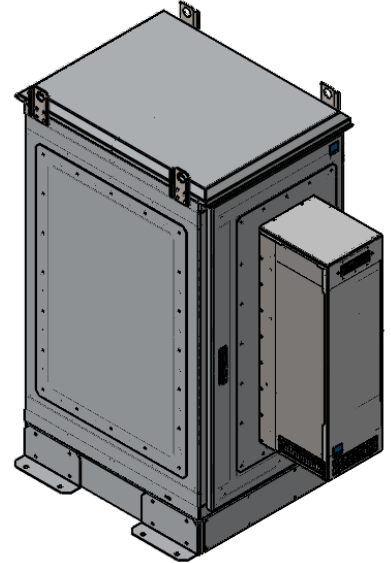
ICEqube DUAL ACCESS WALL/POLE/PAD MOUNT EQUIPMENT CABINETS,  
30RU 23" ADJUSTABLE RACKS.



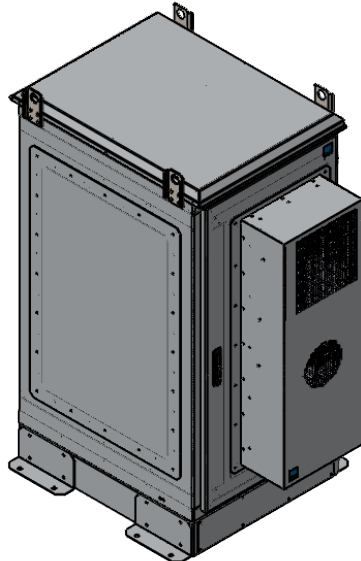
IQ573036NWQ-EC1  
IQ6EVpro



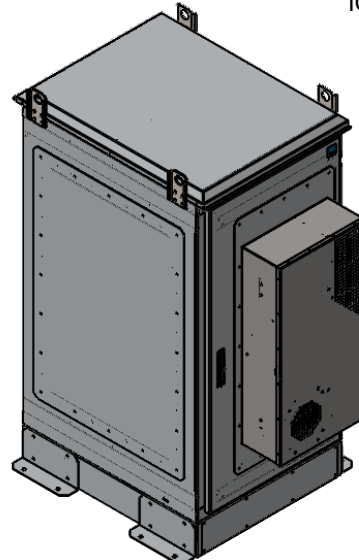
IQ573036NWQ-EC1  
NO COOLING



IQ573036NWQ-EC1  
IQ12EVpro



IQ573036NWQ-EC1  
IQ68/85BDC



IQ573036NWQ-EC1  
IQ7400HE-XF

**THIS IS A PROPRIETARY DOCUMENT. DO NOT REPRODUCE OR DISCLOSE WITHOUT THE EXPRESS WRITTEN PERMISSION OF ICEqube.**

PART NUMBER <i>N/A</i>	USED ON
MATERIAL <i>ALUMINUM</i>	
EST WT: _____ lbs	
DRAWN BY <i>JWS</i>	DATE <i>4/12/2024</i>
	SCALE <i>1:24</i>

UNLESS OTHERWISE SPECIFIED TOLERANCES

.X	±.060
.XX	±.030
.XXX	±.015
FRACTIONAL	±1/4
ANGULAR	±1/2°
SURFACE FINISH	63 ✓

DO NOT SCALE DRAWING  
DIMENSIONS ARE INCHES

<p><b>ICEqube</b> THIS IS A PROPRIETARY DOCUMENT. DO NOT REPRODUCE OR DISCLOSE WITHOUT THE EXPRESS WRITTEN PERMISSION OF ICEqube.</p>	
DESCRIPTION <b>PAD MOUNT EQUIPMENT NetworkQUBE® CABINETS</b>	
DRAWING NUMBER <b>IQ354500</b>	REV <b>A</b>

## PART NUMBER STRUCTURE: IQ-R-F-SS-EB-CC-I-H-M

**Example Configuration:** IQ573036NWQ-EC1-N4-C1-T1-I2-H3-M1

(IQ573036NWQ-EC1, CABINET RATING OF NEMA TYPE 4 WITH BG RAL9002 FINISH. NO EQUIPMENT BAY CLIMATE CONTROL, LOCATION, OR INSULATION. STAINLESS L HANDLE PAD LOCK HOLE AND PLINTH 6").

PART NUMBER KEY	
IQ:	ICEqube MODEL
R:	RATING
F:	FINISH
SS:	SOLAR SHIELD
EB:	EQUIPMENT BAY CLIMATE CONTROL
CC:	EQUIPMENT BAY CLIMATE CONTROL LOCATION
I:	INSULATION
H:	HANDLES
M:	MOUNTING/PLINTH/PEDESTAL
(R) RATING	
N1:	NEMA TYPE 12
N2:	NEMA TYPE 12, 3R
N3:	NEMA TYPE 12, 3R, 4 & IP66
N4:	NEMA TYPE 12, 3R, 4, 4X & IP66
(F) FINISH	
C1:	BG RAL9002
C2:	CM
(SS) SOLAR SHIELD	
S1:	NO SOLAR SHIELD
S2:	SOLAR SHIELD

(EB) EQUIPMENT BAY CLIMATE CONTROL	
T1:	NO EQUIPMENT BAY CLIMATE CONTROL
T2:	IQ6EV pro-126-BG-N4-CP3
T3:	IQ6EV pro-225-BG-N4-CP3
T4:	IQ6EV pro-480-BG-N4-CP3
T5:	IQ6EV pro-126-SS316-N4X-CP3
T6:	IQ6EV pro-225-SS316-N4X-CP3
T7:	IQ6EV pro-480-SS316-N4X-CP3
T8:	IQ12EV pro-126-BG-N4-CP3
T9:	IQ12EV pro-225-BG-N4-CP3
T10:	IQ12EV pro-480-BG-N4-CP3
T11:	IQ12EV pro-126-SS316-N4X-CP3
T12:	IQ12EV pro-225-SS316-N4X-CP3
T13:	IQ12EV pro-480-SS316-N4X-CP3
T14:	IQ8500BDC-48VDC-N4-BG
T15:	IQ1200BDC-48VDC-N4-BG
T16:	IQ10000HE-126-BG-N4-FSC
T17:	IQ10000HE-230-BG-N4-FSC
T18:	IQ10000HE-48-BG-N4-FSC
T19:	IQ74000HE-126-BG-N4-FSC
T20:	IQ74000HE-230-BG-N4-FSC
T21:	IQ74000HE-48-BG-N4-FSC
(CC) EQUIPMENT BAY CLIMATE CONTROL LOCATION	
L1:	FRONT DOOR
L2:	REAR DOOR
L3:	RIGHT SIDE
L4:	LEFT SIDE
L5:	ONE ON LEFT AND RIGHT
L6:	ONE ON FRONT AND REAR
(I) INSULATION	
I1:	R5
I2:	NO INSULATION
(H) HANDLES	
H1:	STANDARD SWING WITH PAD LOCK HOLE
H2:	SWING WITH PAD LOCK HOLE & HEX HEAD
H3:	STAINLESS L HANDLE PAD LOCK HOLE (N4 OPTION)
(M) MOUNTING/PLINTH/PEDESTAL	
M1:	PLINTH 6"
M2:	PLINTH 6" WITH EXTERNAL ANCHORING BRACKETS