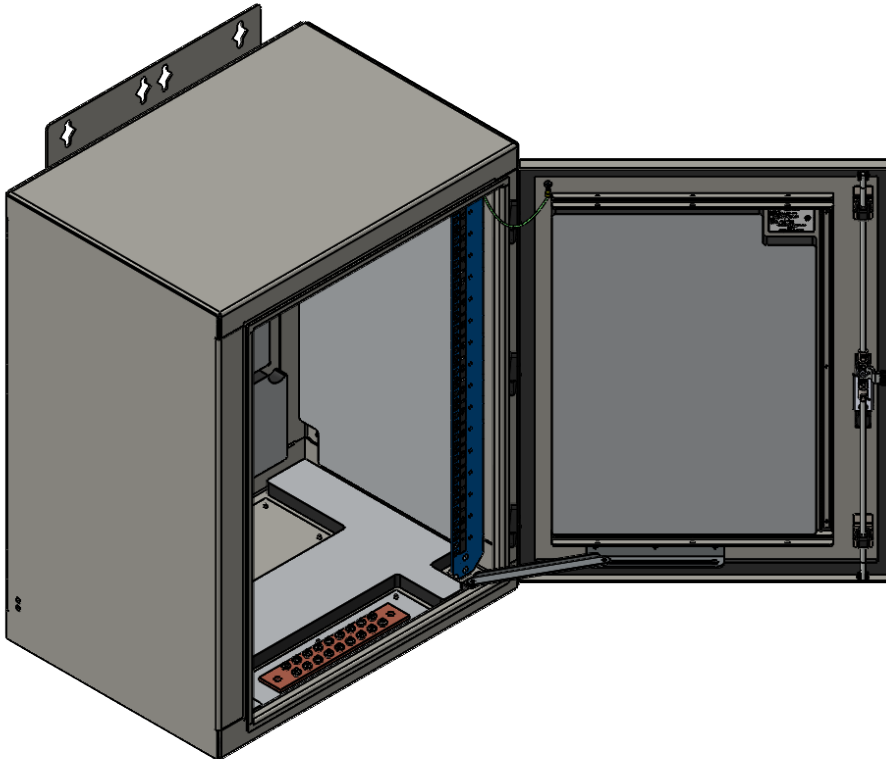




DESCRIPTION:

WALL / POLE / PAD MOUNT 18RU MODULAR CABINET FEATURES 23" RACKS AND 19" ADAPTERS TO ACCOMMODATE YOUR RACKING REQUIREMENTS. HEAT EXCHANGERS, AC UNITS, OR FAN PACKS ARE ALSO AVAILABLE TO FIT YOUR NEEDS.



OVERALL DIMENSIONS	42.5"H X 28"W X 21.5"D-WITH POLE/WALL MOUNT BRACKETS (1080"H X 711"W X 546"D) MM
CABINET DIMENSIONS	36.0"H X 28"W X 20"D (914"H X 711"W X 508"D) MM
RATING/CERTIFICATION	NEMA TYPE 12, 3R, 4, 4X, AND IP66/UL LISTED
RACK SPACE/WIDTH	18RU/23" RACK EIA STANDARD 19" RACK ADAPTERS AVAILABLE
CONSTRUCTION	.125" (3.175 MM) 5052-H32 WELDED ALUMINUM
FINISH	POWDER COATED IN RAL9002 BG OR CUSTOM
MOUNTING	WALL OR POLE, BUT NOT LIMITED TO
INSULATION	R5 INSULATION OPTIONAL
DOOR LOCK	PADLOCKABLE STANDARD WITH HEX HEAD OPTION
BONDING AND GROUNDING	18 POSITION, 2 HOLE GROUND BAR, GROUNDED DOOR, 2 EXTERNAL GROUNDING LUG LOCATIONS
CLIMATE CONTROL 1	AC COOLING: 1000-6000 BTU/H COOLING (293-1758W) HEATER: UP TO 1000W HEAT EXCHANGER: 23W/°F (41.4W/°C) FAN PACK: 190-550CFM
CLIMATE CONTROL LOCATION	DOOR MOUNTED

FOOTNOTES

1. AC OR DC VOLTAGE.

THIS IS A PROPRIETARY DOCUMENT. DO NOT REPRODUCE OR DISCLOSE WITHOUT THE EXPRESS WRITTEN PERMISSION OF ICEqube.

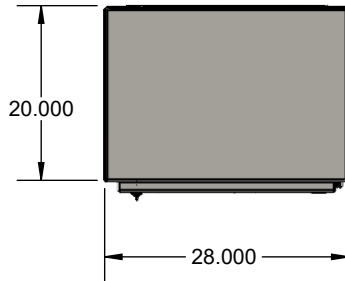
PART NUMBER	N/A
MATERIAL	ALUMINUM
EST WT:	lbs
DRAWN BY	JWS
DATE	4/12/2024
SCALE	1:12

UNLESS OTHERWISE SPECIFIED TOLERANCES	
.X	±.060
.XX	±.030
.XXX	±.015
FRACTIONAL	±1/4
ANGULAR	±1/2°
SURFACE FINISH ⁶³ ✓	
DO NOT SCALE DRAWING DIMENSIONS ARE INCHES	

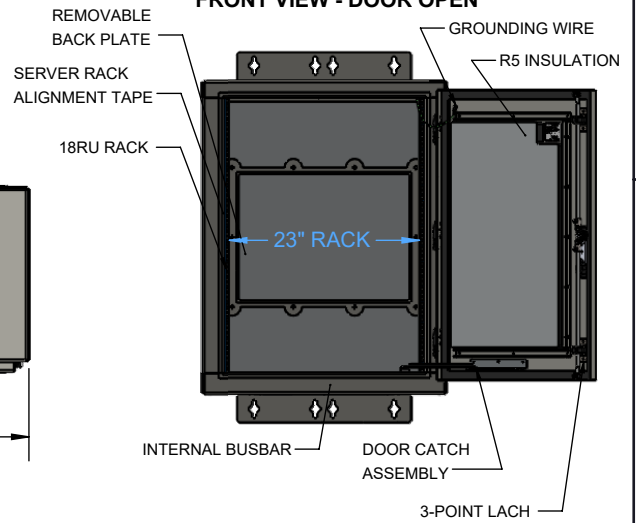
ICEqube	THIS IS A PROPRIETARY DOCUMENT. DO NOT REPRODUCE OR DISCLOSE WITHOUT THE EXPRESS WRITTEN PERMISSION OF ICEqube.
DESCRIPTION WALL/POLE/PAD MOUNT NetworkQUBE[®] CABINETS	
DRAWING NUMBER	REV
IQ354470	A

ICEcube WALL/POLE/PAD MOUNT EQUIPMENT, 18RU 23" FIXED RACKS.

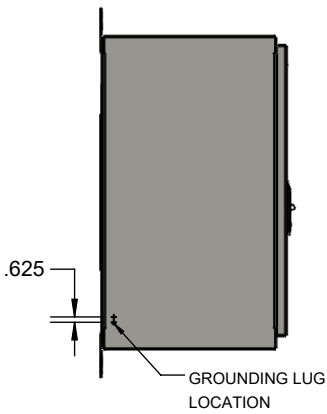
TOP VIEW



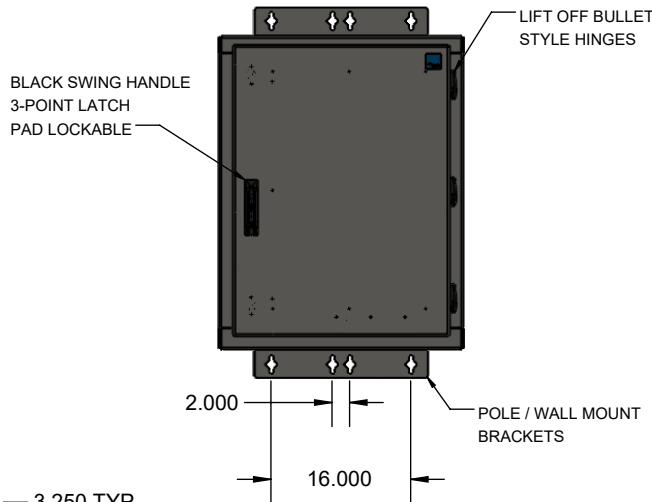
FRONT VIEW - DOOR OPEN



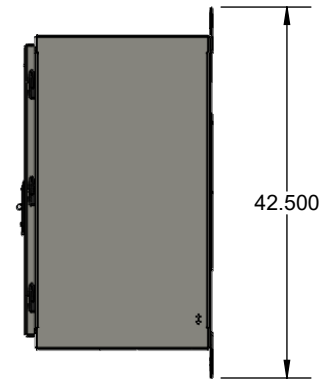
LEFT SIDE VIEW



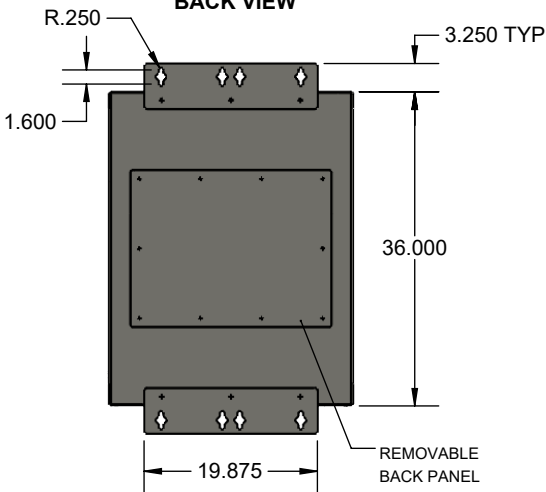
FRONT VIEW



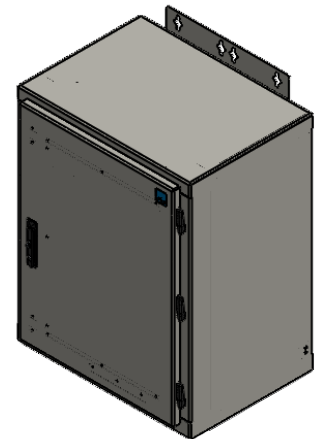
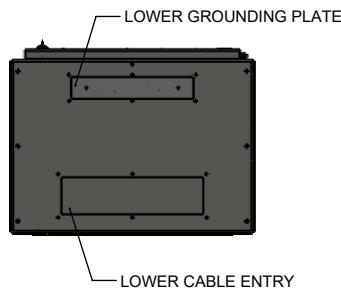
RIGHT SIDE VIEW



BACK VIEW



BOTTOM VIEW



THIS IS A PROPRIETARY DOCUMENT. DO NOT REPRODUCE OR DISCLOSE WITHOUT THE EXPRESS WRITTEN PERMISSION OF ICEcube.

PART NUMBER
N/A

MATERIAL
ALUMINUM

UNLESS OTHERWISE SPECIFIED TOLERANCES

.X ±.060
.XX ±.030
.XXX ±.015

FRACTIONAL ±1/4
ANGULAR ±1/2°

ICEcube
THIS IS A PROPRIETARY DOCUMENT. DO NOT REPRODUCE OR DISCLOSE WITHOUT THE EXPRESS WRITTEN PERMISSION OF ICEcube.

DESCRIPTION
WALL/POLE/PAD MOUNT NetworkQUBE[®] CABINETS

EST WT: lbs

DRAWN BY: *JWS* DATE: *4/12/2024* SCALE: *1:16*

SURFACE FINISH ⁶³✓

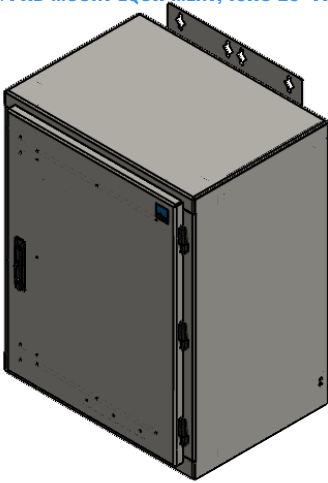
DO NOT SCALE DRAWING DIMENSIONS ARE INCHES

DRAWING NUMBER
IQ354470

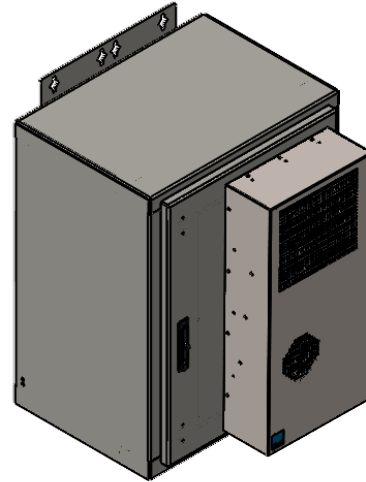
REV
A

ICEqube WALL/POLE/PAD MOUNT EQUIPMENT, 18RU 23" FIXED RACKS.

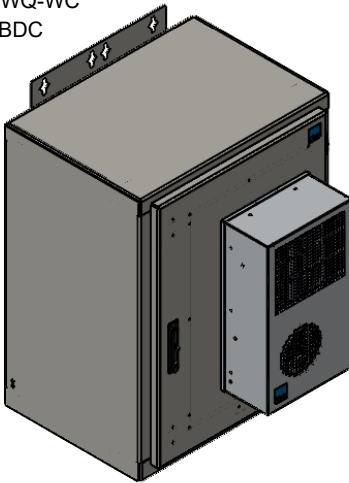
IQ362820NWQ-WC
NO COOLING



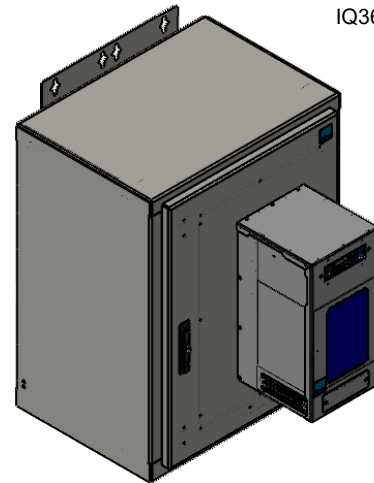
IQ362820NWQ-WC
IQ3500BDC



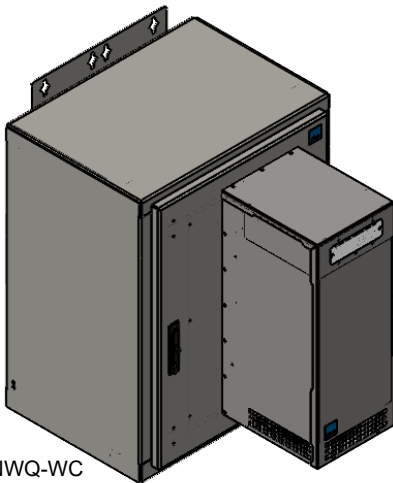
IQ362820NWQ-WC
IQ2000BDC



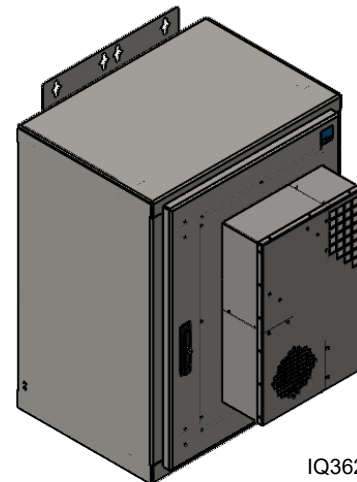
IQ362820NWQ-WC
IQ3EVpro



IQ362820NWQ-WC
IQ6EVpro



IQ362820NWQ-WC
IQ2800HE-XF



THIS IS A PROPRIETARY DOCUMENT. DO NOT REPRODUCE OR DISCLOSE WITHOUT THE EXPRESS WRITTEN PERMISSION OF ICEqube.

PART NUMBER <i>N/A</i>	
MATERIAL <i>ALUMINUM</i>	
EST WT: DRAWN BY <i>JWS</i>	DATE <i>4/12/2024</i>
SCALE <i>1:16</i>	

UNLESS OTHERWISE SPECIFIED TOLERANCES
 .X ±.060
 .XX ±.030
 .XXX ±.015
 FRACTIONAL ±1/4
 ANGULAR ±1/2°
 SURFACE FINISH $\sqrt{63}$
 DO NOT SCALE DRAWING DIMENSIONS ARE INCHES

ICEqube	THIS IS A PROPRIETARY DOCUMENT. DO NOT REPRODUCE OR DISCLOSE WITHOUT THE EXPRESS WRITTEN PERMISSION OF ICEqube.
DESCRIPTION WALL/POLE/PAD MOUNT NetworkQUBE[®] CABINETS	
DRAWING NUMBER IQ354470	REV A

PART NUMBER STRUCTURE: IQ-R-F-EB-I-H-M

Example Configuration: IQ362820NWQ-WC-N4-C1-T1-I2-H3-M1

(IQ362820NWQ-WC, CABINET RATING OF NEMA TYPE 4 WITH BG RAL9002 FINISH. NO EQUIPMENT BAY CLIMATE CONTROL OR INSULATION. STAINLESS L HANDLE PAD LOCK HOLE WITH WALL/H-FRAME BRACKETS).

PART NUMBER KEY	
IQ:	ICEqube MODEL
R:	RATING
F:	FINISH
EB:	EQUIPMENT BAY CLIMATE CONTROL
I:	INSULATION
H:	HANDLES
M:	MOUNTING/PLINTH/PEDESTAL
(R) RATING	
N1:	NEMA TYPE 12
N2:	NEMA TYPE 12, 3R
N3:	NEMA TYPE 12, 3R, 4 & IP66
N4:	NEMA TYPE 12, 3R, 4, 4x & IP66
(F) FINISH	
C1:	BG RAL9002
C2:	CM

(EB) EQUIPMENT BAY CLIMATE CONTROL	
T1:	NO EQUIPMENT BAY CLIMATE CONTROL
T2:	IQ3EV pro-126-BG-N4-CP3
T3:	IQ3EV pro-225-BG-N4-CP3
T4:	IQ3EV pro-480-BG-N4-CP3
T5:	IQ3EV pro-126-SS316-N4X-CP3
T6:	IQ3EV pro-225-SS316-N4X-CP3
T7:	IQ3EV pro-480-SS316-N4X-CP3
T8:	IQ2000BDC-48VDC-N4-BG
T9:	IQ2800HE-126-BG-N4-FSC
T10:	IQ2800HE-230-BG-N4-FSC
T11:	IQ2800HE-48VDC-BG-N4-FSC
T12:	IQ6EV pro-126-BG-N4-CP3
T13:	IQ6EV pro-225-BG-N4-CP3
T14:	IQ6EV pro-480-BG-N4-CP3
T15:	IQ6EV pro-126-SS316-N4X-CP3
T16:	IQ6EV pro-225-SS316-N4X-CP3
T17:	IQ6EV pro-480-SS316-N4X-CP3
T18:	IQ500FP-RAL9002-120
T19:	IQ500FP-RAL9002-230
T20:	IQ500FP-H-RAL9002-120
T21:	IQ500FP-H-RAL9002-230
(I) INSULATION	
I1:	R5
I2:	NO INSULATION
(H) HANDLES	
H1:	STANDARD SWING WITH PAD LOCK HOLE
H2:	SWING WITH PAD LOCK HOLE & HEX HEAD
H3:	STAINLESS L HANDLE PAD LOCK HOLE (N4 OPTION)
(M) MOUNTING/PLINTH/PEDESTAL	
M1:	WALL/H-FRAME BRACKETS
M2:	POLE MOUNT KIT AND WALL/H-FRAME BRACKETS
M3:	PLINTH/PEDESTAL 6"
M4:	PLINTH/PEDESTAL 6" WITH EXTERNAL ANCHORING BRACKETS